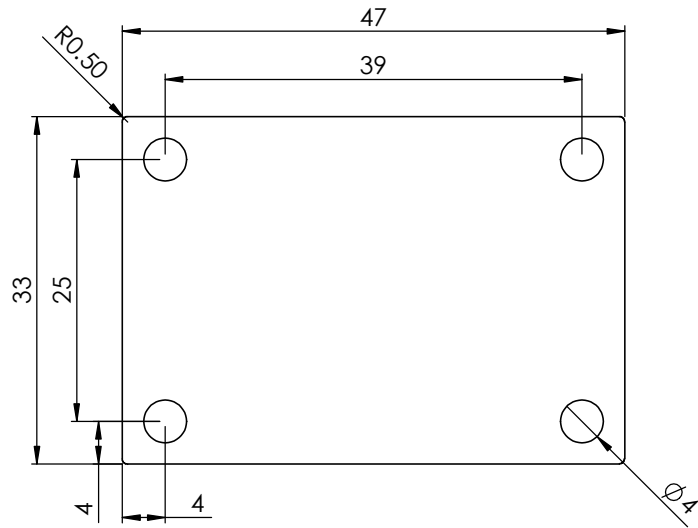


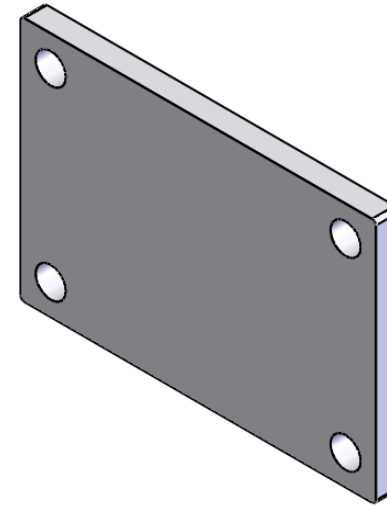
BAR ENDCAP 8mm

Part No.

F150B 8



3MM THICK
ALUMINIUM



UGS PO Box 84 262, Westgate, Auckland 0657 New Zealand Phone: +64 9 838 6429 www.ugs.co.nz	Description and Notes: BAR ENDCAP 8mm	Material: AL	Vendor:	Weight (Kg):	Design by: Peter Herrick	Date: 11/4/2022	
		Finish: POWDER COAT	Vendor Ref:	Area (m2):	Units: Metric (mm & Kg) Scale: N/A	Sheet: 2 of 4	Rev:
						Drawing No. F150B 8	Rev: