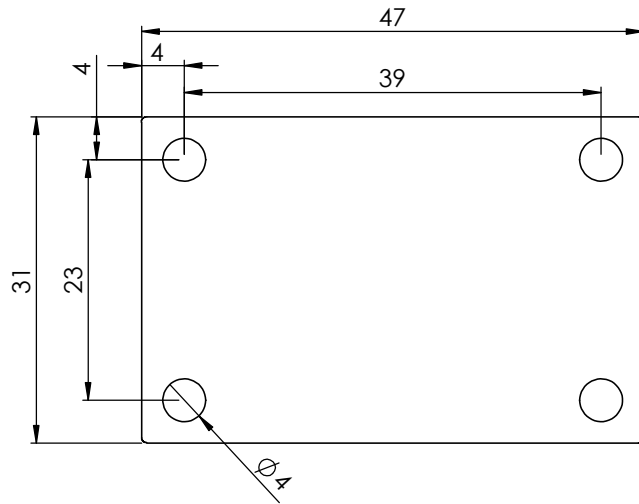


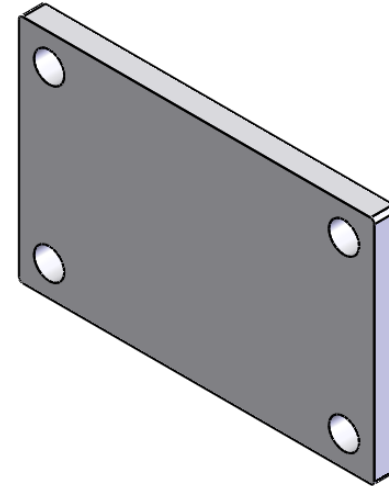
# BAR ENDCAP 6mm

Part No.

# F150B 6



3MM THICK  
ALUMINIUM



<b>UGS</b> PO Box 84 262, Westgate, Auckland 0657 New Zealand Phone: +64 9 838 6429 www.ugs.co.nz	<b>Description and Notes:</b> BAR ENDCAP 6mm	<b>Material:</b> AL	<b>Vendor:</b>	<b>Weight (Kg):</b>	<b>Design by:</b> Peter Herrick	<b>Date:</b> 11/4/2022	
		<b>Finish:</b> AS REQUESTED	<b>Vendor Ref:</b>	<b>Area (m2):</b>	<b>Drawn by:</b> C. Pasiona	Sheet: 1 of 4	
					<b>Units:</b> Metric (mm & Kg)	<b>Drawing No.</b> F150B 6	<b>Rev:</b>
					<b>Scale:</b> N/A		