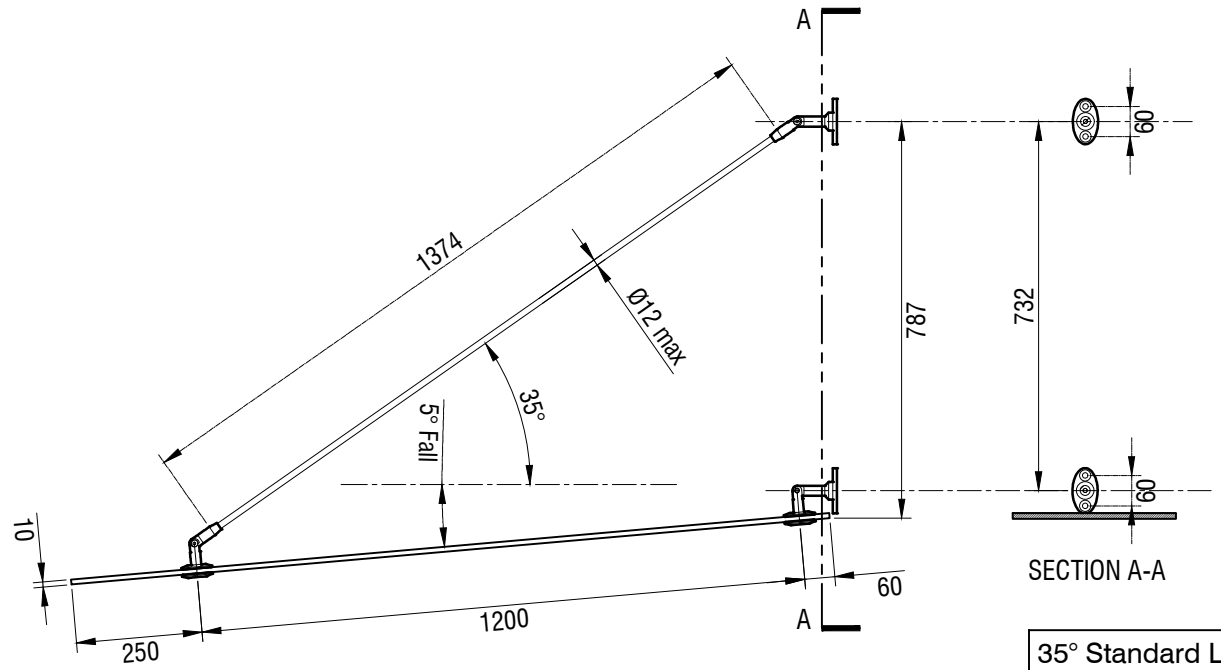
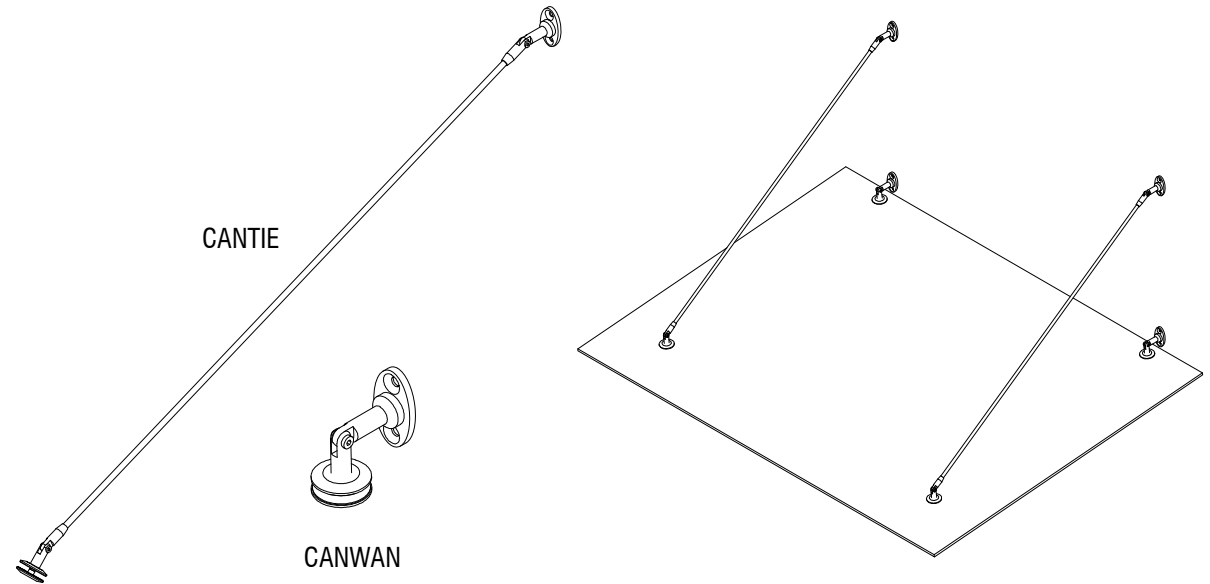


Glass Thickness		Maximum Dimensions		
Toughened	Laminated	L1	L2	L3
10mm	11.5	1350	1200	250
12mm	13.5	1550	1200	300

Maximum wind pressure = 1.36 kPa (high wind zone)



35° Standard Layout



A division of Viridian Glass Ltd Partnership

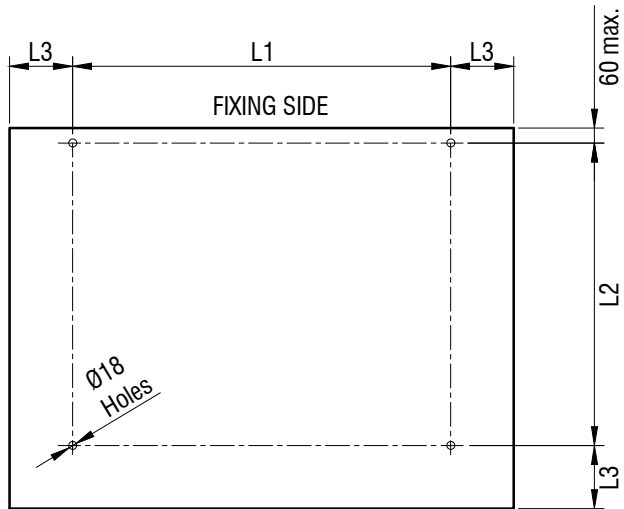
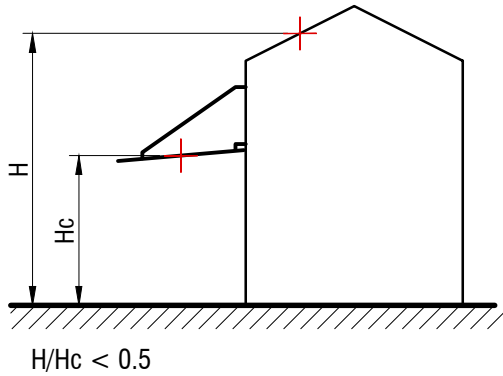
LIGHTWEIGHT ASPEN CANOPY

date 6-12-19

drawing no

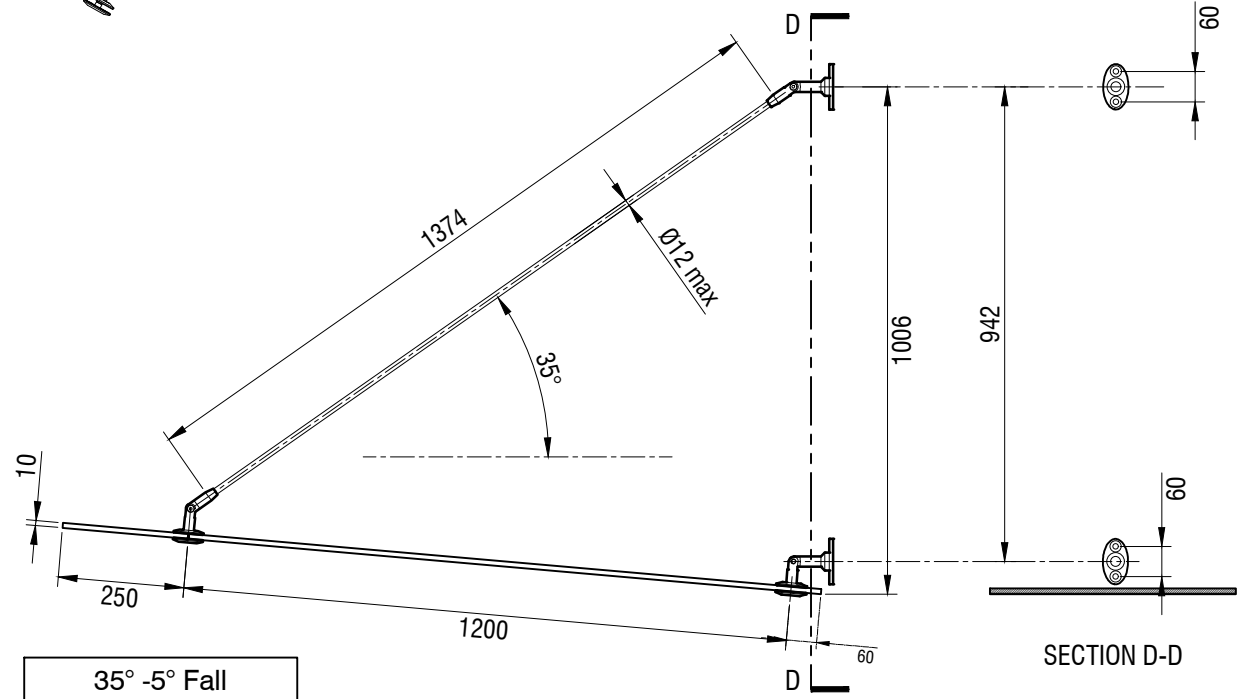
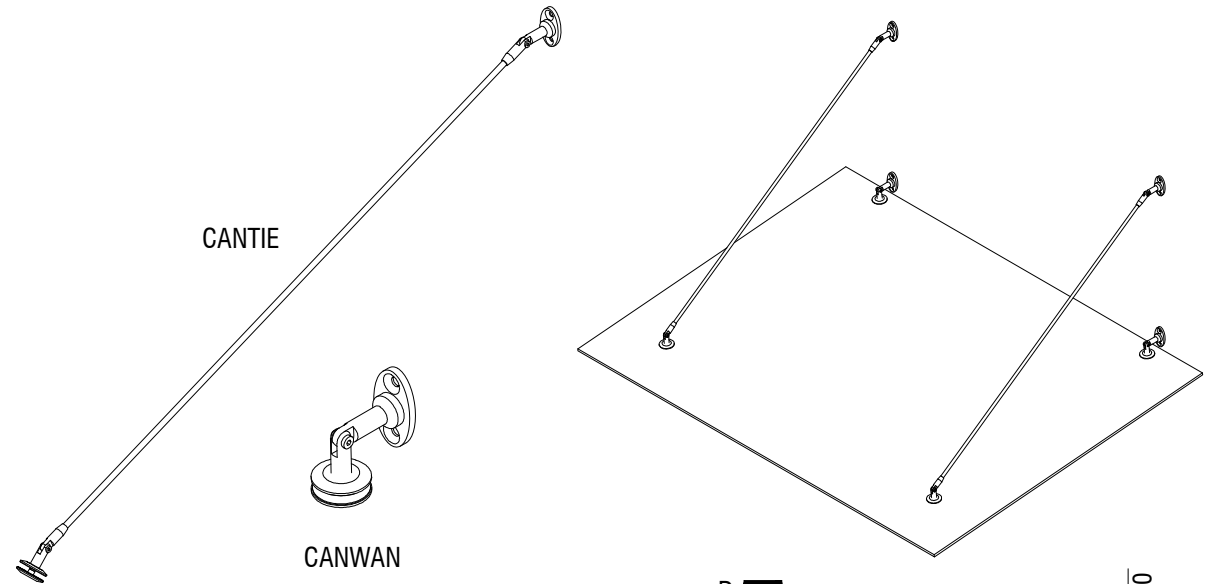
scale NTS

LW01



Glass Thickness		Maximum Dimensions		
Toughened	Laminated	L1	L2	L3
10mm	11.5	1350	1200	250
12mm	13.5	1550	1200	300

Maximum wind pressure = 1.36 kPa (high wind zone)



A division of Viridian Glass Ltd Partnership

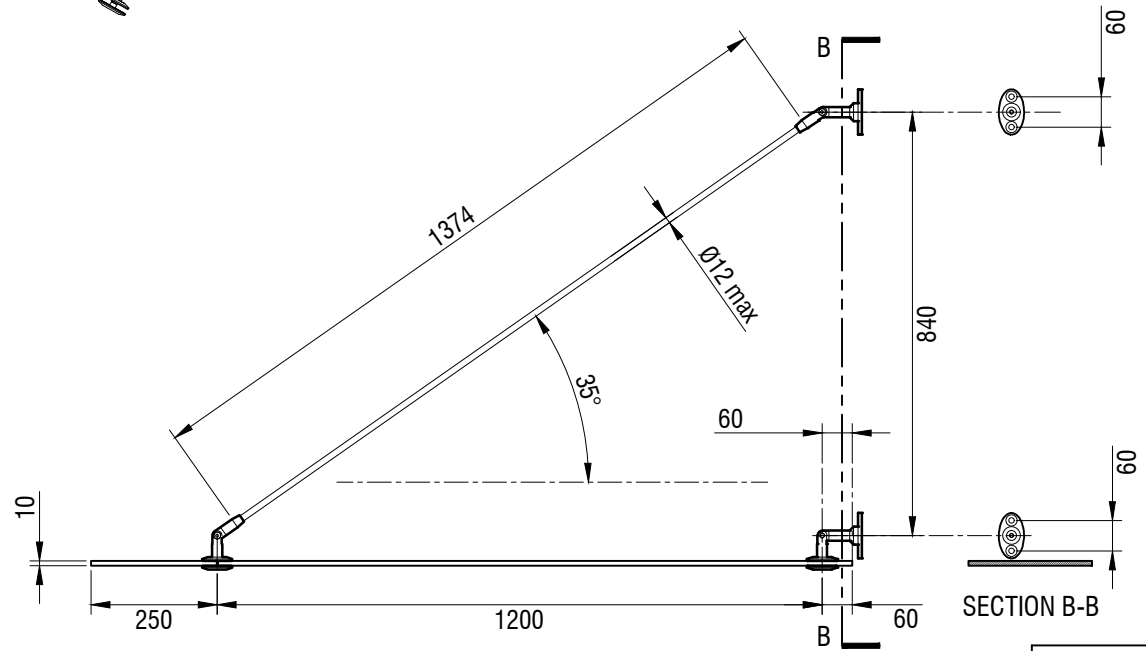
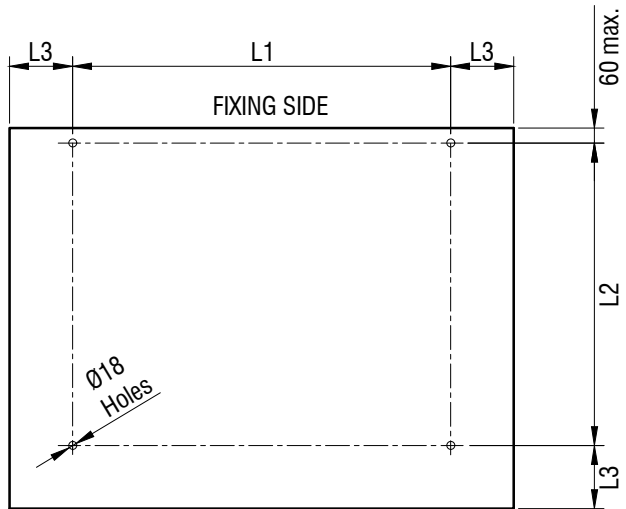
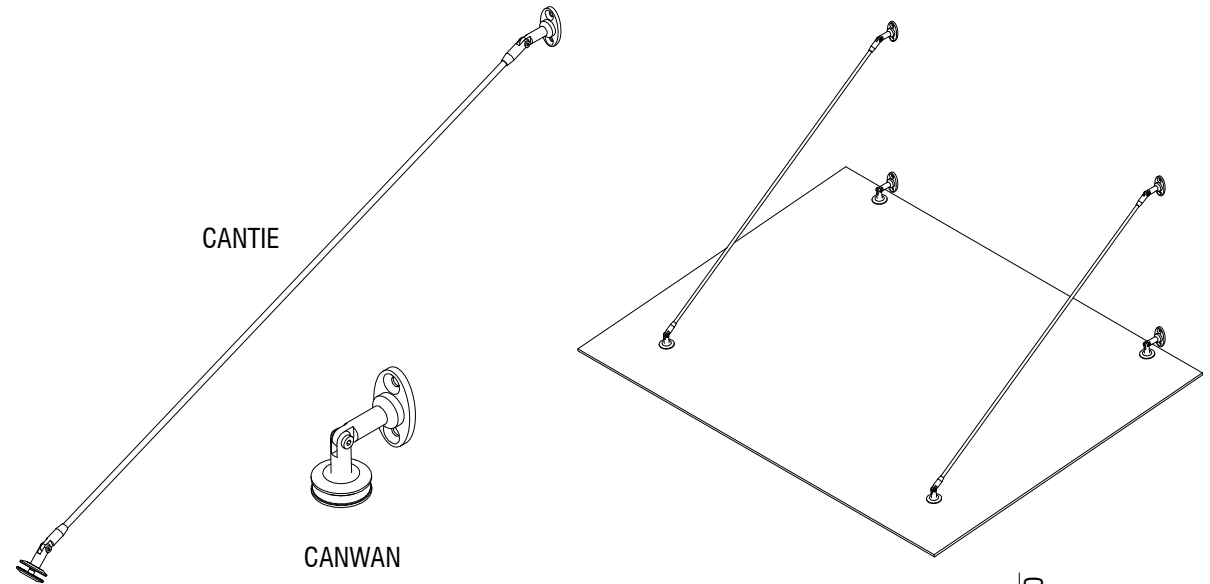
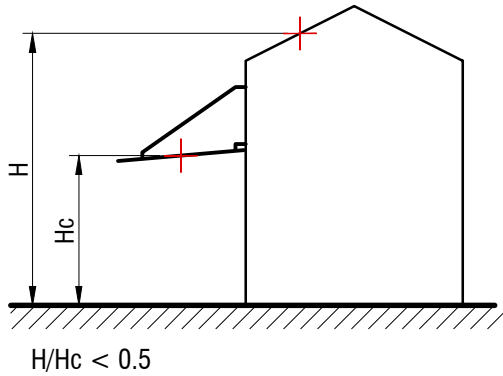
LIGHTWEIGHT ASPEN CANOPY

date 6-12-19

drawing no

scale NTS

LW02



Glass Thickness		Maximum Dimensions		
Toughened	Laminated	L1	L2	L3
10mm	11.5	1350	1200	250
12mm	13.5	1550	1200	300

Maximum wind pressure = 1.36 kPa (high wind zone)

35° Flat Canopy



LIGHTWEIGHT ASPEN CANOPY

date 6-12-19 drawing no LW03
 scale NTS