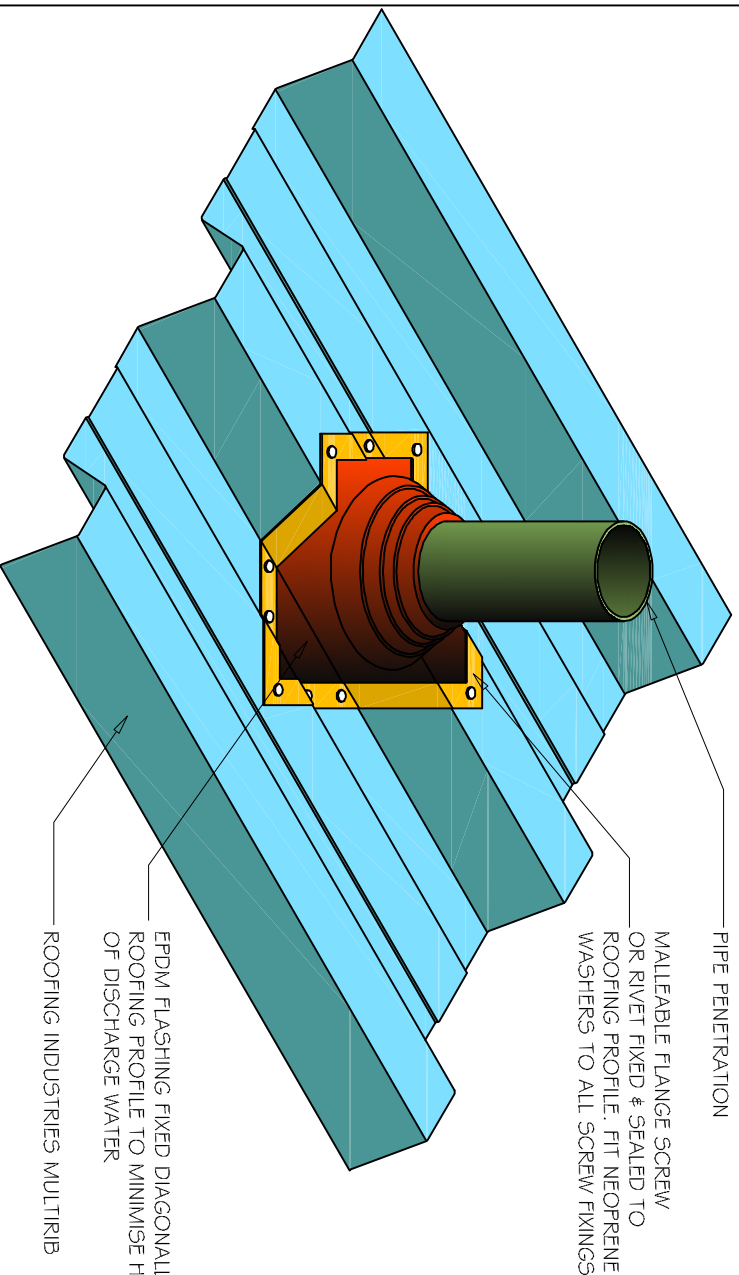


COMMERCIAL MULTIRIB ROOFING PENETRATION FLASHING EPDM



DETAIL NO. CMRRO17A-1
 DATE DRAWN 01/03/12
 FILE REFERENCE R1-CMRRO20A.DWG

NOTES:

- (1) FOR PIPES UP TO 85mm DIAMETER.
- (2) MAX ROOF PITCH FOR THIS FLASHING 45°, MIN PITCH 3°
- (3) NZMRM CODE OF PRACTICE ALLOWS LARGER THAN 85mm DIAMETER PENETRATION PROVIDED THE FLASHING DOES NOT EXTEND TO MORE THAN 50% OF PAN WIDTH.
- (4) INSTALL ADJACENT TO PURLIN FOR SUPPORT WHERE POSSIBLE. NO PANS TO BE FULLY BLOCKED OFF BY PIPE OR DEKITTLE.

- NOTES:**
- These details are generally in compliance with the NZ Metal Roof & Wall Cladding Code of Practice and in some cases specific details by Roofing Industries.
 - The building designer is ultimately responsible to ensure that details used meet the requirements of the NZ Building Code for the specific project.
 - Details of the supporting structure are indicative only and are the responsibility of the building designer.
 - Thermal break or cavity battens may be required in some circumstances.
 - Underlay selection and building wrap types are the responsibility of the designer.
 - Alternative support to galvanised netting should be used in severe coastal environments including when aluminum is used.
 - These details are for Roofing Industries profiles as nominated and may not be applicable to other profiles.
 - This drawing is the copyright of Roofing Industries and can only be copied or reproduced with their permission.
 - Further information can be obtained from the NZ Metal Roof & Wall Cladding Code of Practice www.metalroofer.org.nz & www.roof.co.nz
 - Where necessary adjust drawings for purlin battens or cavity battens.
 - Details are for steel based materials, other substrate may require some changes.