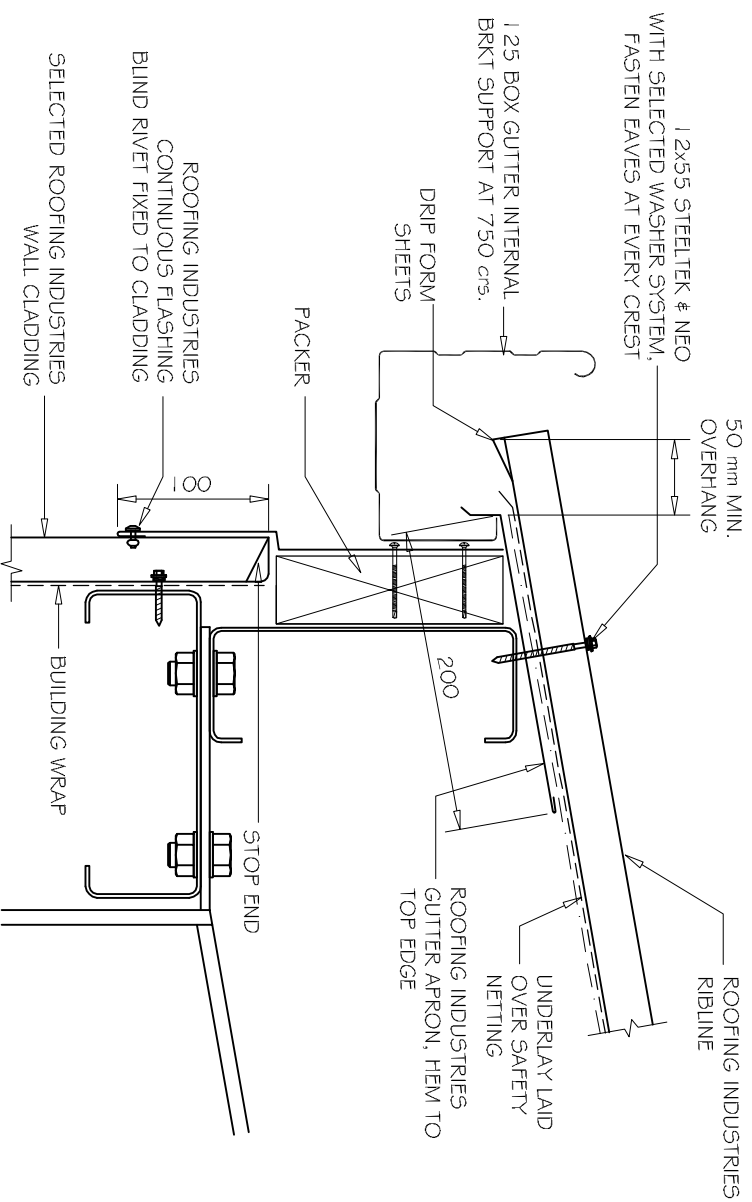


COMMERCIAL RIBLINE ROOFING 125 BOX GUTTER DETAIL (Internal Bracket - Alternative)

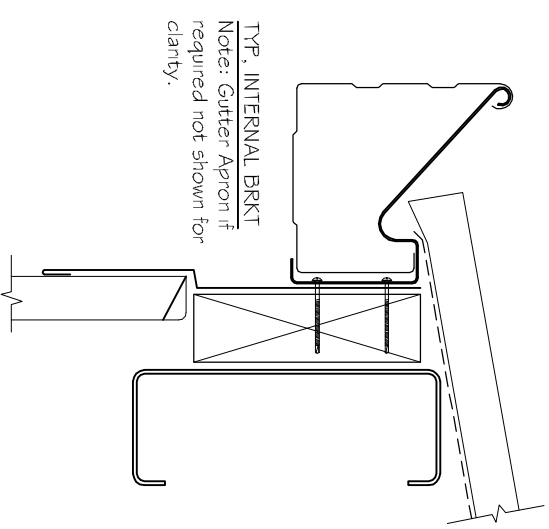


NOTES:

- These details are generally in compliance with the NZ Metal Roof & Wall Cladding Code of Practice and in some cases specific details by Roofing Industries.
- The building designer is ultimately responsible to ensure that details used meet the requirements of the NZ Building Code for the specific project.
- Details of the supporting structure are indicative only and are the responsibility of the building designer.
- Thermal break or cavity battens may be required in some circumstances.
- Underlay selection and building wrap types are the responsibility of the designer.
- Alternative support to galvanised netting should be used in severe coastal environments including when aluminum is used.
- These details are for Roofing Industries profiles as nominated and may not be applicable to other profiles.
- This drawing is the copyright of Roofing Industries and can only be copied or reproduced with their permission.
- Further information can be obtained from the NZ Metal Roof & Wall Cladding Code of Practice www.metlroofer.org.nz & www.roof.co.nz
- Where necessary adjust drawings for purlin battens or cavity battens.
- Details are for steel based materials, other substrate may require some changes.



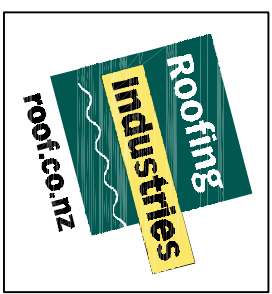
A 125 BOX GUTTER RIBLINE PROFILE
1:5



DETAIL NO. CRR030A-1
DATE DRAWN 13/03/12
FILE REFERENCE R1-CRR030A.DWG

NOTES:

- (1) MINIMUM PITCH 3°
- (2) FOR CAPACITY CALCULATION REFER TO NZMRM CODE OF PRACTICE.
- (3) EXTERNAL BRACKETS ARE RECOMMENDED TO ALL GUTTERS IN AREAS SUBJECT TO SNOW. REFER DWG CRR030B



©COPYRIGHT DETAIL 2012