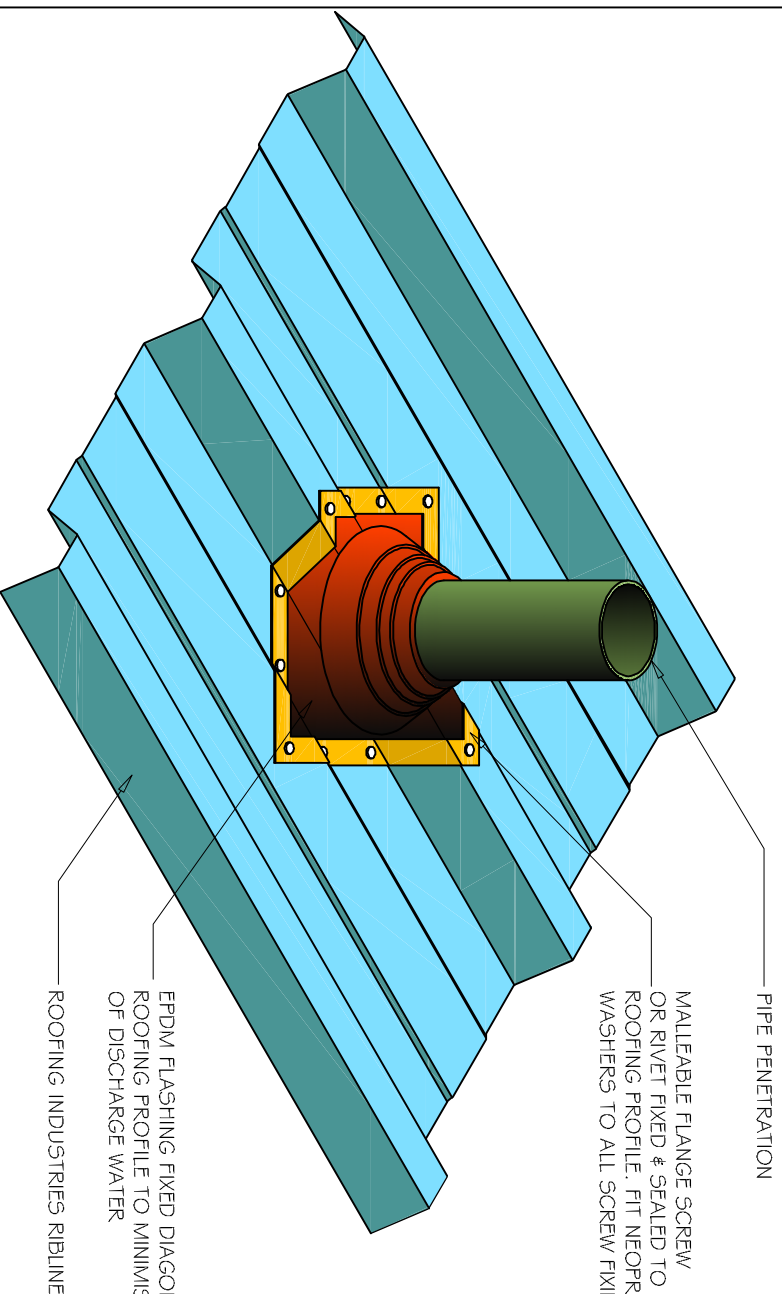


COMMERCIAL RIBLINE ROOFING PENETRATION FLASHING EPDM



PIPE PENETRATION

MALLEABLE FLANGE SCREW
OR RIVET FIXED & SEALED TO
ROOFING PROFILE. FIT NEOPRENE
WASHERS TO ALL SCREW FIXINGS

EPDM FLASHING FIXED DIAGONALLY TO
ROOFING PROFILE TO MINIMISE HOLDING
OF DISCHARGE WATER

ROOFING INDUSTRIES RIBLINE

DETAIL NO.

CRRO17A-1

DATE DRAWN

10/03/12

FILE REFERENCE

RI-CRRO17A-1.DWG

NOTES:

- (1) FOR PIPES UP TO 85mm DIAMETER.
- (2) MAX ROOF PITCH FOR THIS FLASHING 45°,
MIN PITCH 3°
- (3) NZMRM CODE OF PRACTICE ALLOWS LARGER THAN 85mm
DIAMETER PENETRATION PROVIDED THE FLASHING DOES
NOT EXTEND TO MORE THAN 50% OF PAN WIDTH.
- (4) INSTALL ADJACENT TO FURLIN FOR SUPPORT
WHERE POSSIBLE. NO PANS TO BE FULLY BLOCKED
OFF BY PIPE OR DEKITTLE.

NOTES:

- These details are generally in compliance with the NZ Metal Roof & Wall Cladding Code of Practice and in some cases specific details by Roofing Industries.
- The building designer is ultimately responsible to ensure that details used meet the requirements of the NZ Building Code for the specific project.
- Details of the supporting structure are indicative only and are the responsibility of the building designer.
- Thermal break or cavity battens may be required in some circumstances.
- Underlay selection and building wrap types are the responsibility of the designer, alternative support to galvanised netting should be used in severe coastal environments, including when aluminum is used.
- These details are for Roofing Industries profiles as nominated and may not be applicable to other profiles.
- This drawing is the copyright of Roofing Industries and can only be copied or reproduced with their permission.
- Further information can be obtained from the NZ Metal Roof & Wall Cladding Code of Practice www.metaloofers.org.nz & www.roof.co.nz
- Where necessary, adjust drawings for purlin battens or cavity battens.
- Details are for steel based materials, other substrate may require some changes.

©COPYRIGHT DETAIL 2012

