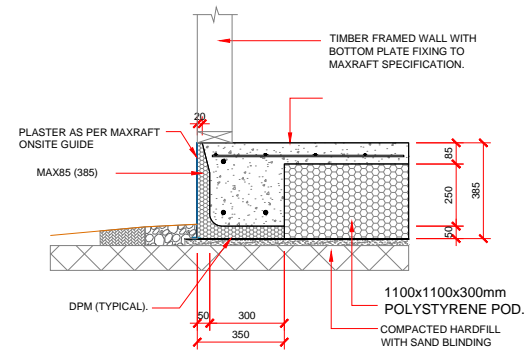
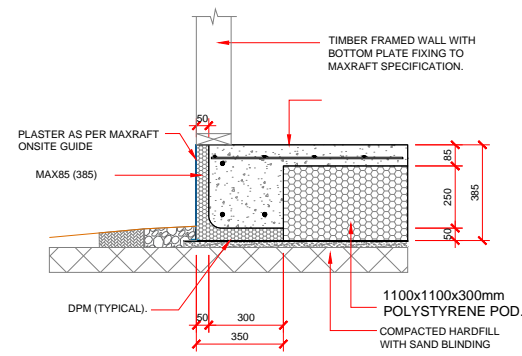


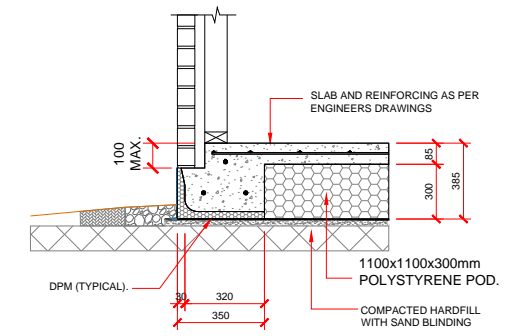
85mm CONCRETE + 300mm PODS



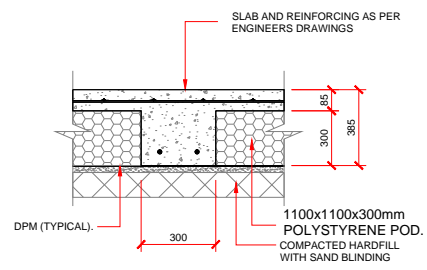
EXTERNAL FOOTING DETAIL  
20mm TAPERED - 90mm/140mm FRAMING



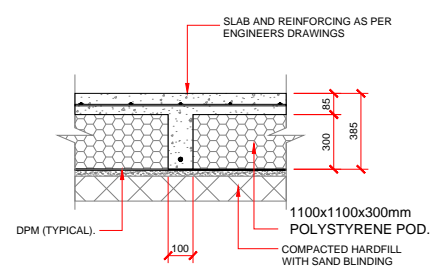
EXTERNAL FOOTING DETAIL  
50mm STRAIGHT - 140mm FRAMING



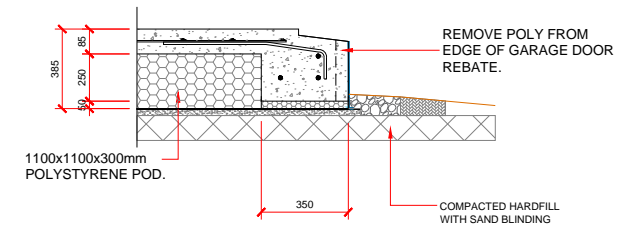
BRICK / STONE VENEER  
REBATE DETAIL



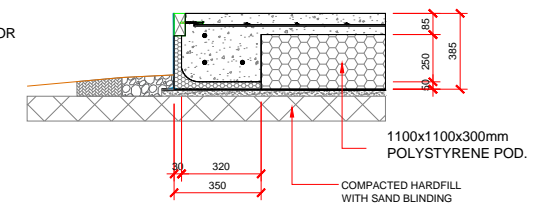
INTERNAL FOOTING DETAIL



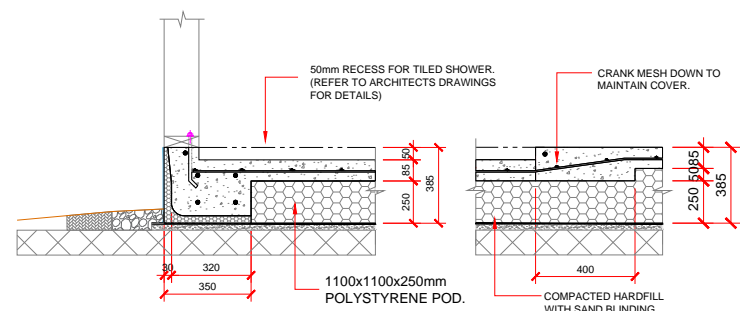
INTERNAL RIB DETAIL



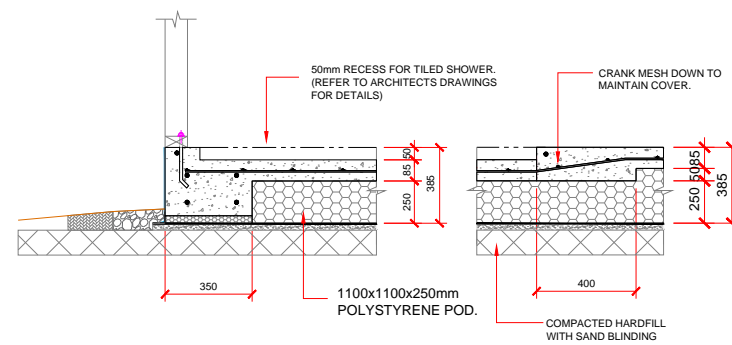
GARAGE DOOR REBATE DETAIL



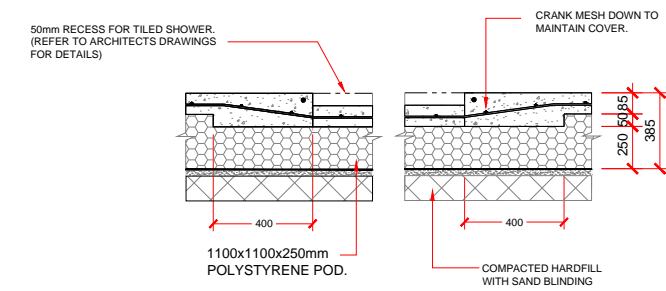
JOINERY REBATE DETAIL



SHOWER RECESS DETAIL - 140mm FRAMING.



SHOWER RECESS DETAIL - 90mm FRAMING.



SHOWER RECESS DETAIL.

MAX85 DETAILS - 385mm

DWG NO.

DATE : 2023