

INSTALLATION	A2 - A3
HINGES	A4 - A6
BRACKETS	A7
SHELF BRACKETS	A8
CHANNEL & SEALS	A9 - A10
HEADERS	A11 - A13
SLIDING SYSTEMS	A14 - A19
OVERPANEL BRACKETS & DOOR LATCH	A20
ACCESSORIES	A21 - A22

We provide a comprehensive range of accessories produced to give architects and decorators complete freedom of design when using toughened glass in showers.

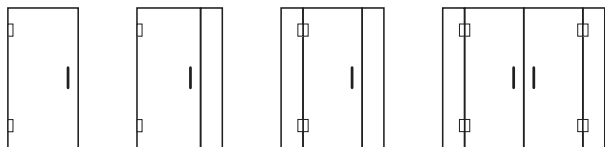
Designed, and manufactured to the highest standard the EUROGLASS range of fittings provide a slim and neat appearance so that the glass remains the central feature.

All hinges and handles are a combination of brass and stainless steel. Available in the following finishes:

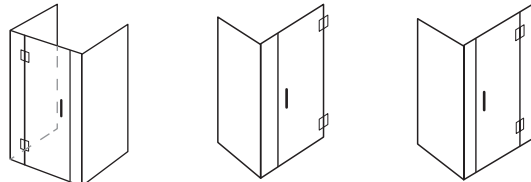
- Polished Stainless Steel
- Polished Chrome
- Satin Chrome
- Satin Stainless Steel
- Special finishes upon request, lead times apply

**TYPICAL SHOWER DESIGNS**

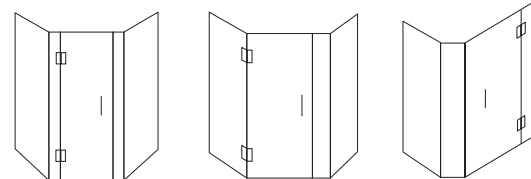
**INLINE SHOWERS**



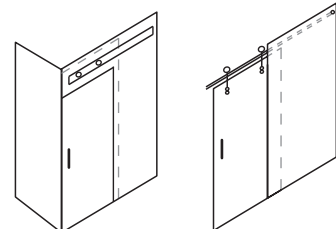
**SQUARE SHOWERS**



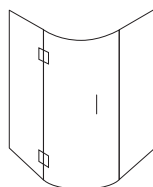
**QUADRANT SHOWERS**



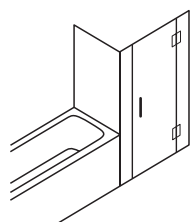
**SLIDING SHOWERS**



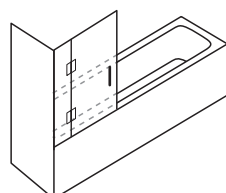
**CURVED SHOWER**



**BATH-END SHOWER**



**BI-FOLD BATH SCREEN**



**GLASS**

All glass used in frameless glass shower assemblies must be approved 8mm or 10mm toughened float safety glass.

**GLASS THICKNESS**

10mm glass thickness is recommended in most assemblies, especially in glass to glass situations. 8mm glass thickness can be used when panels / doors are relatively narrow or especially when wall fixing (for door hanging) is suspect.

**DOORS**

All doors are standard double action opening both inwards and outwards. A single action stop may be provided if required.

Standard door widths are generally between 600mm to 700mm for wall hung doors and 550mm to 650mm for glass to glass doors.

Maximum recommended width / weight for two hinge doors:

- 8mm: 900mm width 35kg (1.75m<sup>2</sup>)
- 10mm: 800mm width 35kg (1.40m<sup>2</sup>) glass-to-glass
- 10mm: 800mm width 37.5kg (1.50m<sup>2</sup>) wall hung

For doors outside either of the above maximums three hinges should be fitted.

Standard door heights are generally between 1850mm and 2100mm.

**WALL FIXING**

For doors hinged directly from the wall adequate stud fixing is required – generally either a double stud or an approx. 90mm width of timber fitted between nogs at hinge levels.

Where inadequate wall fixing is suspected, it is recommended that the door be hung from a glass side panel.

**SPECIAL BRACING REQUIREMENTS**

Head support is recommended (in the form of either a top channel or a glass over panel) for glass to glass assemblies as follows:

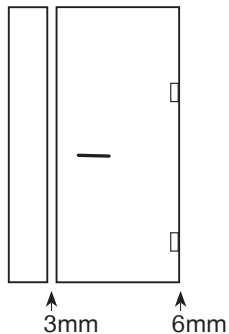
- where the combined width of the door and side panel/s it is hung from exceed 900mm.
- on all quadrant and curved showers

Where a side panel (fixed only to the base and wall) exceeds 900mm in width a return panel of a minimum 150mm width would be required to stabilise the side panel.

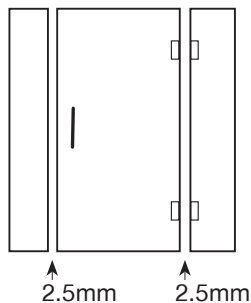
**INSTALLATION DIMENSIONS**

Recommended gap under door 6mm above the highest point of the upstand.

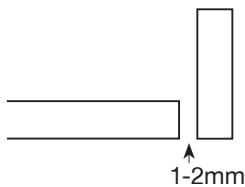
**WALL TO GLASS**



**GLASS TO GLASS**



**MAIN PANEL TO BUTT INTO SMALL RETURN PANEL**



**MITRE JOINTS – 135°**

Glass to glass panels – we recommend each panel has a 22.5° polished mitre edge to provide a quality finished look and prevent a visible “thick” silicone joint.

**WATERPROOFING**

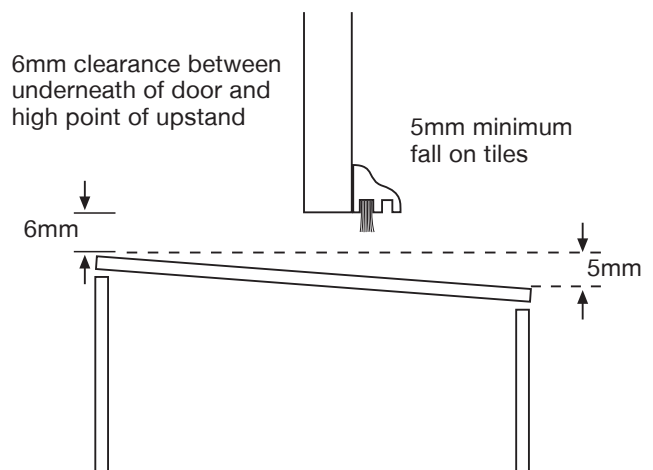
For wall hung doors it is recommended to hang the door from the wall on which the shower rose is fitted. It is not good design to have the shower rose directly facing the door.

In situations where there is a risk of water leaking through the gap between the back edge of the door and the wall it is recommended to use a glass to glass door design.

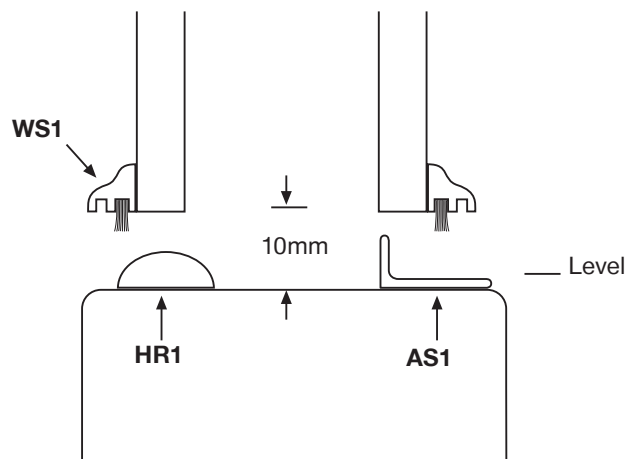
Suggestions to avoid leaking under the door:

1. It is recommended that our WS1 waterseal be fitted to the inside bottom edge of all doors.
  - ensure where possible that there is an adequate slope on the shower upstand.
  - recommended minimum fall of 5mm.
2. Our HR1 half round section (4.8mm high), AS1 angle section (6mm high) or AS18 angle section (18mm high - 22mm gap under door) fitted onto the base under the door can be used where there is a high risk of leakage.
3. Position of shower door / panel line is generally centre of upstand but we recommend bringing this glass line towards the inside edge in cases where there is a greater risk of leakage. i.e. rose pointing at door, no fall on upstand, special body jets, etc.

**1. FALL ON TOP OF UPSTAND**

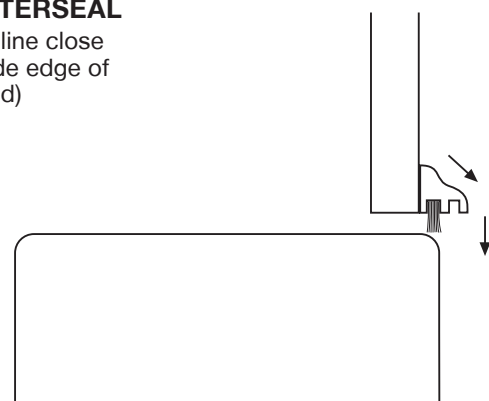


**2. WATERSEAL / HALF ROUND SECTION OR ANGLE SECTION**



**3. WATERSEAL**

(Glass line close to inside edge of upstand)



# SHOWER: HINGES

CALL: (09) 624-1180  
www.euroglass.co.nz



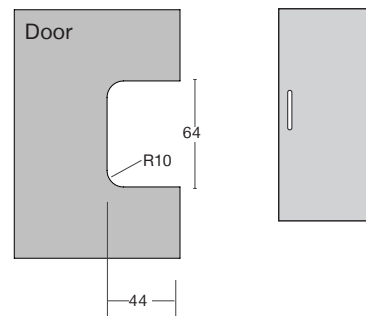
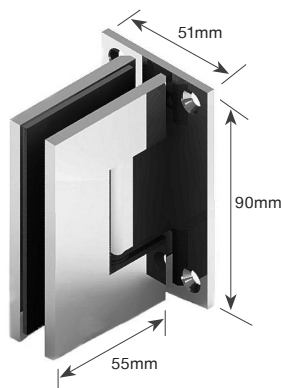
## ES1 Wall mount

### AVAILABLE FINISHES

- Polished chrome
- Satin chrome
- Special finishes on request, lead time applies

### TECHNICAL DETAILS

Manufactured in brass  
Dual action, opening inwards and outwards  
Self closing from approximately 25°  
Standard for 10mm glass  
Adaptation for 8mm, 12mm glass on request  
Fixing screws not included, specify if required



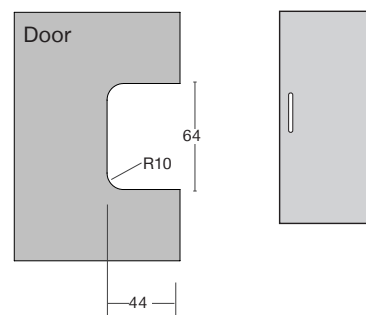
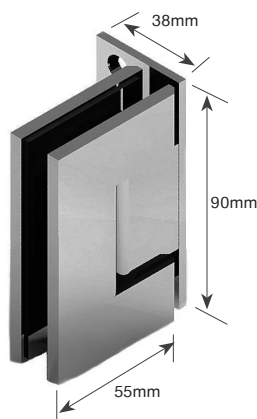
## ES1L3 Wall mount with offset 3 hole back plate

### AVAILABLE FINISHES

- Polished chrome
- Satin chrome
- Special finishes on request, lead time applies

### TECHNICAL DETAILS

Manufactured in brass  
Dual action, opening inwards and outwards  
Self closing from approximately 25°  
Standard for 10mm glass  
Adaptation for 8mm, 12mm glass on request  
Fixing screws not included, specify if required



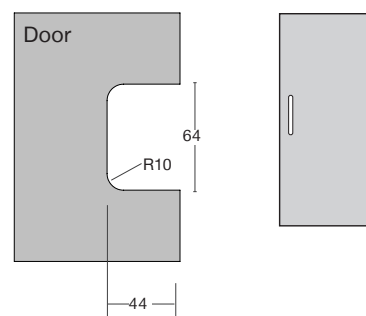
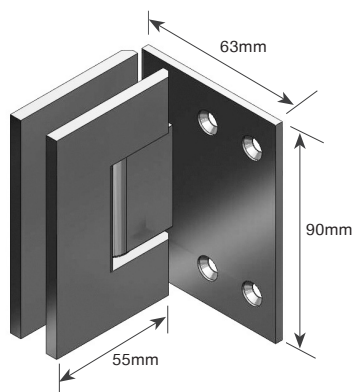
## ES1LEXT Wall mount with offset extended back plate

### AVAILABLE FINISHES

- Polished chrome
- Satin chrome
- Special finishes on request, lead time applies

### TECHNICAL DETAILS

Manufactured in brass  
Dual action, opening inwards and outwards  
Self closing from approximately 25°  
Standard for 10mm glass  
Adaptation for 8mm, 12mm glass on request  
Fixing screws not included, specify if required



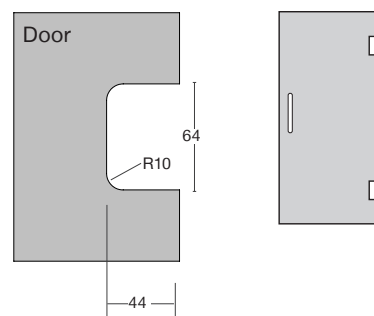
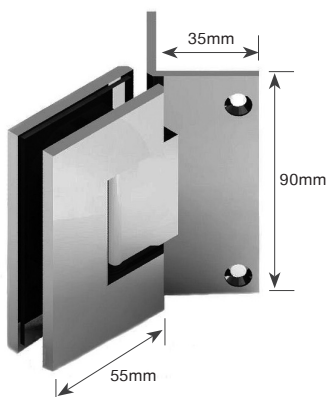
## ES190 Wall mount 90° fixing

### AVAILABLE FINISHES

- Polished chrome
- Satin chrome
- Special finishes on request, lead time applies

### TECHNICAL DETAILS

Manufactured in brass  
Dual action, opening inwards and outwards  
Self closing from approximately 25°  
Standard for 10mm glass  
Adaptation for 8mm, 12mm glass on request  
Fixing screws not included, specify if required



# SHOWER: HINGES

CALL: (09) 624-1180  
www.euroglass.co.nz



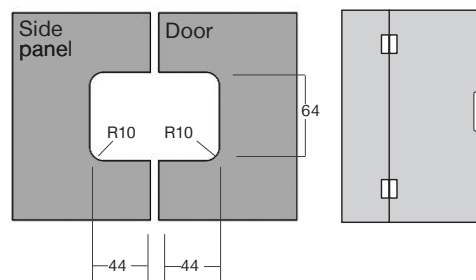
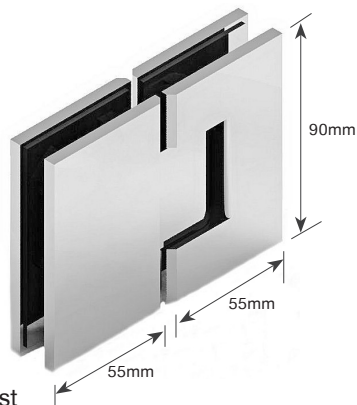
## ES2 Glass-to-glass

### AVAILABLE FINISHES

- Polished chrome
- Satin chrome
- Special finishes on request; lead time applies

### TECHNICAL DETAILS

Manufactured in brass  
Dual action, opening inwards and outwards  
Self closing from approximately 25°  
Standard for 10mm glass  
Adaptation for 8mm, 12mm glass on request



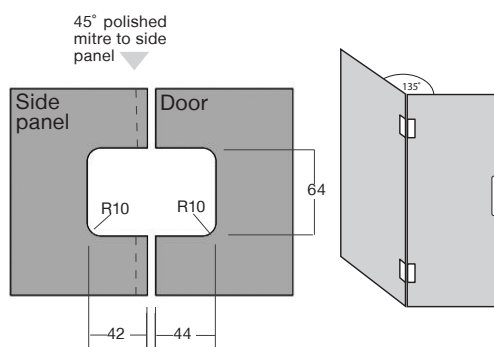
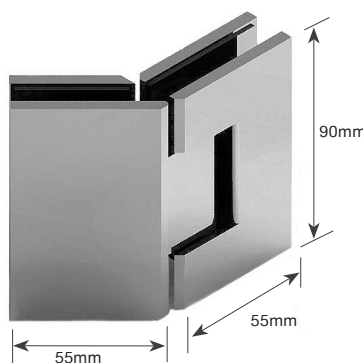
## ES2135 Glass-to-glass 135°

### AVAILABLE FINISHES

- Polished chrome
- Satin chrome
- Special finishes on request; lead time applies

### TECHNICAL DETAILS

Manufactured in brass  
Dual action, opening inwards and outwards  
Self closing from approximately 25°  
Standard for 10mm glass  
Adaptation for 8mm, 12mm glass on request



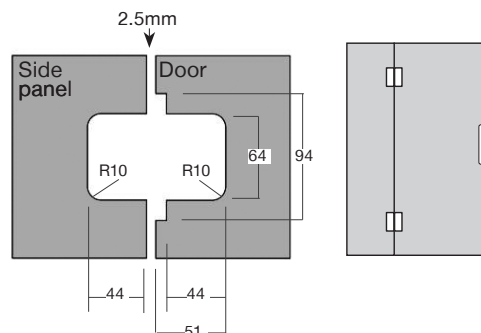
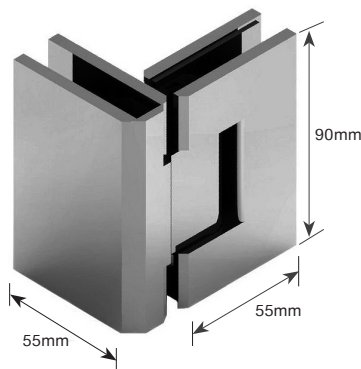
## ES290 Glass-to-glass 90°

### AVAILABLE FINISHES

- Polished chrome
- Satin chrome
- Special finishes on request; lead time applies

### TECHNICAL DETAILS

Manufactured in brass  
Dual action, opening inwards and outwards  
Self closing from approximately 25°  
Standard for 10mm glass  
Adaptation for 8mm, 12mm glass on request



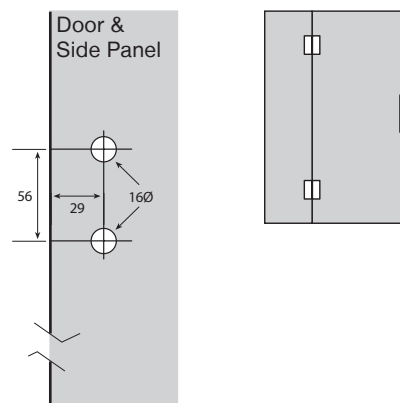
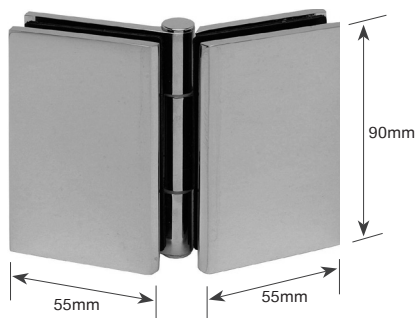
**ES2BF Glass-to-glass bifold**

**AVAILABLE FINISHES**

- Polished chrome
- Satin chrome
- Special finishes on request; lead time applies

**TECHNICAL DETAILS**

Manufactured in brass  
180° single action, opening inwards and outwards  
Standard for 10mm glass  
Adaptation for 6, 8mm, 12mm glass on request



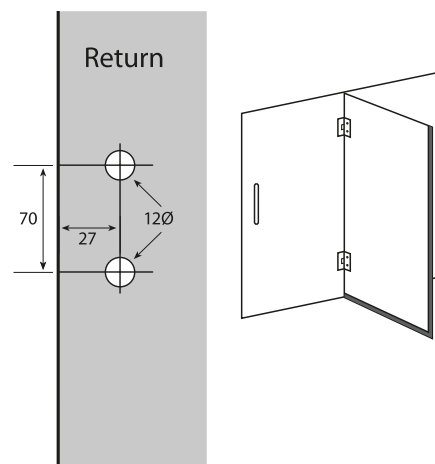
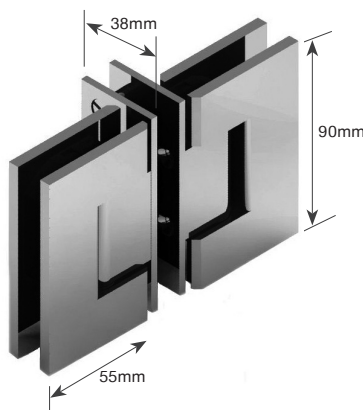
**ES1LB2B Glass-to-glass 90°**

**AVAILABLE FINISHES**

- Polished chrome
- Satin chrome
- Special finishes on request; lead time applies

**TECHNICAL DETAILS**

Manufactured in brass  
Dual action, opening inwards and outwards  
Self closing from approximately 25°  
Standard for 10mm glass  
Adaptation for 6, 8mm, 12mm glass on request



- WS225/WS238/WS250** Wood screws
- MS612304** M6 x 12 Slotted head machine screws
- HS612304** M6 x 12 Hex head machine screws

**AVAILABLE FINISHES**

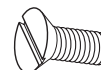
- Polished stainless
- Satin stainless
- Selected powdercoat, lead time applies

**TECHNICAL DETAILS**

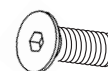
Wood screws available in 25mm, 38mm and 50mm lengths  
Machine screw to suit ES Hinges  
Hex screw to suit ES Hinges



Wood Screw



Slotted Head Machine Screw



Hex Head Machine Screw



# SHOWER: BRACKETS

CALL: (09) 624-1180  
www.euroglass.co.nz



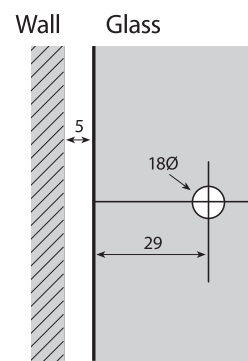
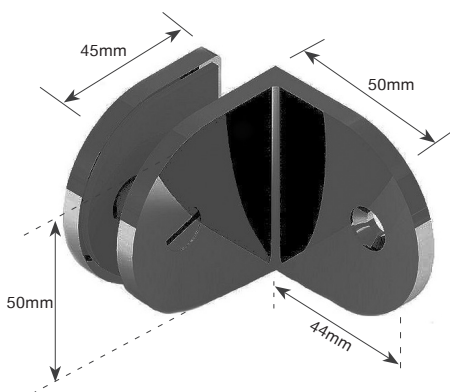
## SB50 Wall fix

### AVAILABLE FINISHES

- Polished chrome
- Satin chrome
- Special finishes on request, lead time applies

### TECHNICAL DETAILS

Manufactured in solid brass  
90° glass panel to wall fixing  
Suitable for 8mm, 10mm and 12mm glass (10mm standard)  
Specify glass thickness when ordering



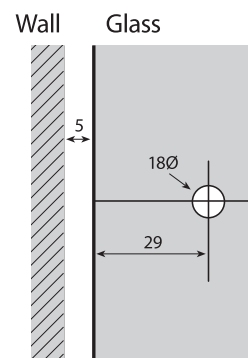
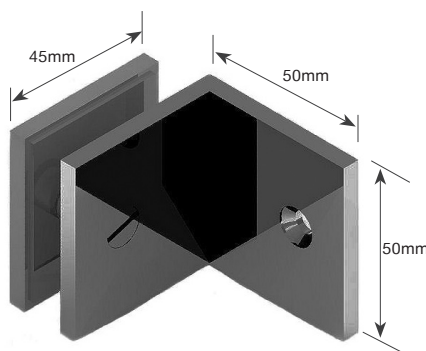
## SB50SQ Wall fix square

### AVAILABLE FINISHES

- Polished chrome
- Satin chrome
- Special finishes on request, lead time applies

### TECHNICAL DETAILS

Manufactured in solid brass  
90° glass panel to wall fixing  
Suitable for 8mm, 10mm and 12mm glass (10mm standard)  
Specify glass thickness when ordering



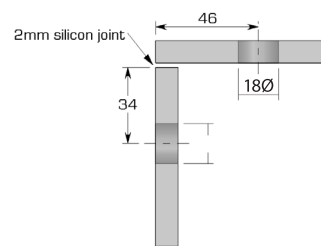
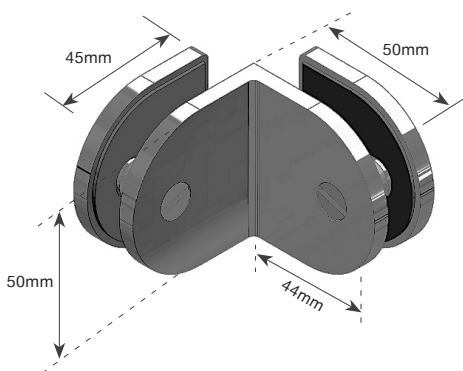
## SBD50 Glass to glass fix - double sided

### AVAILABLE FINISHES

- Polished chrome
- Satin chrome
- Special finishes on request, lead time applies

### TECHNICAL DETAILS

Manufactured in solid brass  
90° glass panel to glass panel fixing  
Suitable for 6mm, 8mm, 10mm and 12mm glass (10mm standard)  
Specify glass thickness when ordering



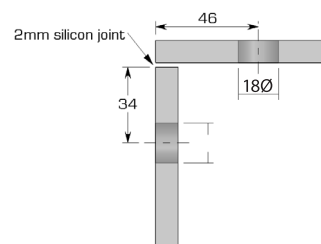
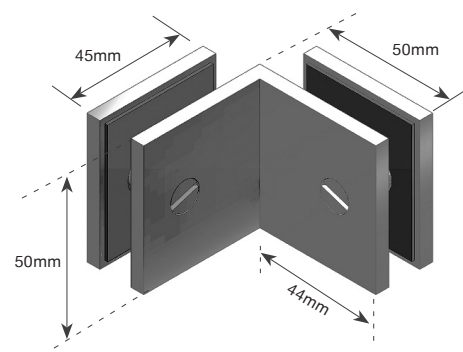
## SBD50SQ Glass to glass fix square - double sided

### AVAILABLE FINISHES

- Polished chrome
- Satin chrome
- Special finishes on request, lead time applies

### TECHNICAL DETAILS

Manufactured in solid brass  
90° glass panel to glass panel fixing  
Suitable for 6mm, 8mm, 10mm and 12mm glass (10mm standard)  
Specify glass thickness when ordering



**SB6/SB8/SB10** Glass shelf brackets

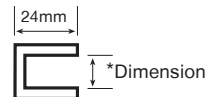
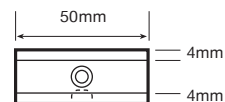
**AVAILABLE FINISHES**

- Polished chrome
- Satin chrome
- Special finishes on request, lead time applies

**TECHNICAL DETAILS**

Manufactured in solid brass  
Fixing to glass by teflon tipped grub screw  
Fixing to wall by counter sunk hole through bracket

\* Dimensions to suit 6mm, 8mm and 10mm glass



\* SB6 = 6.2mm SB8 = 8.2mm  
SB10 = 10.2mm

**SB6SQ/SB8SQ/SB10SQ** Glass shelf brackets square

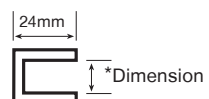
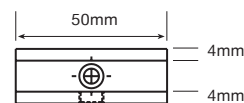
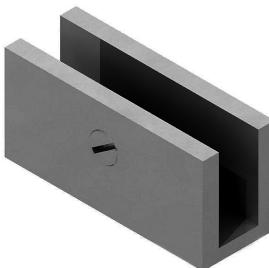
**AVAILABLE FINISHES**

- Polished chrome
- Satin chrome
- Special finishes on request, lead time applies

**TECHNICAL DETAILS**

Manufactured in solid brass  
Fixing to glass by teflon tipped grub screw  
Fixing to wall by counter sunk hole through bracket

\* Dimensions to suit 6mm, 8mm and 10mm glass



\* SB6SQ = 6.2mm SB8SQ = 8.2mm  
SB10SQ = 10.2mm



**CH15/CH16/CH25/HS18 Channel**

**AVAILABLE FINISHES**

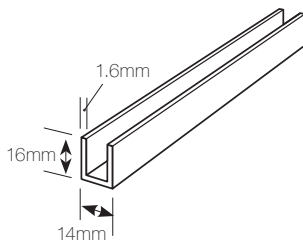
- Polished anodised
- Satin anodised (except for CH25)
- Selected powdercoat, lead time applies

**TECHNICAL DETAILS**

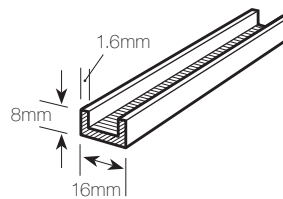
Extruded aluminium

Stock lengths:

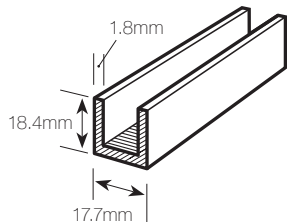
- CH15 - 3m
- CH16 - 2.5m
- CH18 - 2.1m or 3m
- CH25 - 2.1m or 3m
- HS18 - 3m



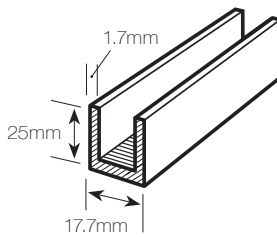
CH15



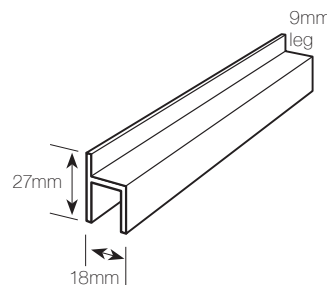
CH16



CH18



CH25



HS18

**EC1/EC45 End caps**

**AVAILABLE FINISHES**

- Polished anodised
- Satin anodised
- Selected powdercoat, lead time applies

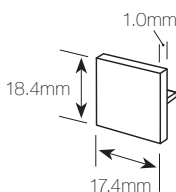
**TECHNICAL DETAILS**

Extruded aluminium

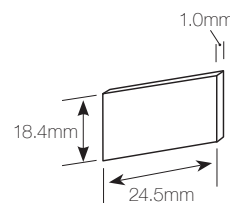
EC1 to suit CH18

EC45 to suit CH18 with a 45° mitre

EC45 to suit CH25



EC1



EC45

**WS1/HR1 Water seals**

**AS1/AS18 Angles**

**AVAILABLE FINISHES**

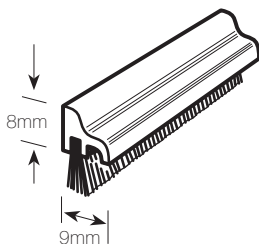
- Polished anodised
- Satin anodised
- Selected powdercoat, lead time applies

**TECHNICAL DETAILS**

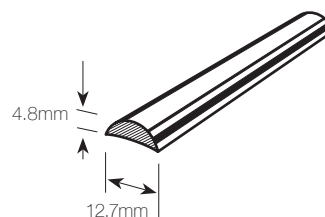
Extruded aluminium

Stock lengths:

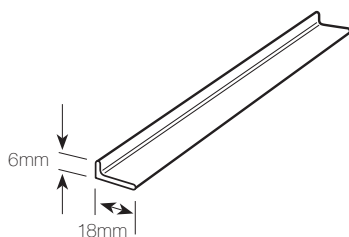
- WS1 - 2m
- HR1 - 1.5m
- AS1 - 2m
- AS18 - 3m



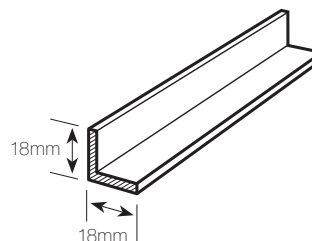
WS1



HR1



AS1



AS18

**DS2/DS4/DS5 Door seals**

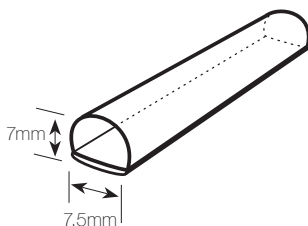
**AVAILABLE FINISHES**

**DS4 D shaped bump-on cushion seal**

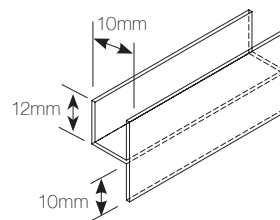
- rigid back PVC with flexible PVC seal
- lengths 2m and 3m

**DS5 door seal**

- clear plastic
- suits **10mm** glass
- length 2.2m



DS4



DS5

**DS10/LS1/TS1 Door seals**

**AVAILABLE FINISHES**

**DS10 door seal**

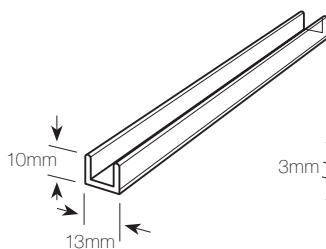
- clear plastic U channel
- suits **10mm** glass
- length 2m

**LS1 L shaped seal**

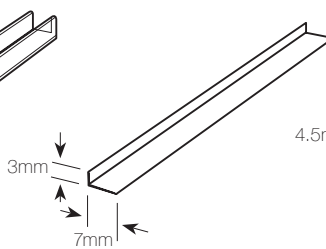
- rigid back PVC with flexible PVC seal
- length 2m

**TS1 T shaped seal**

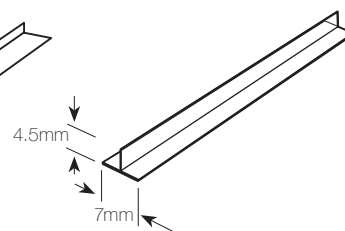
- rigid back PVC with flexible PVC seal
- length 2m



DS10



LS1



TS1

### HEADERS

When extra bracing is required for a frameless glass shower, we provide a number of solutions. A header across the top of the enclosure can stabilize an oversized panel.

#### AVAILABLE FINISHES

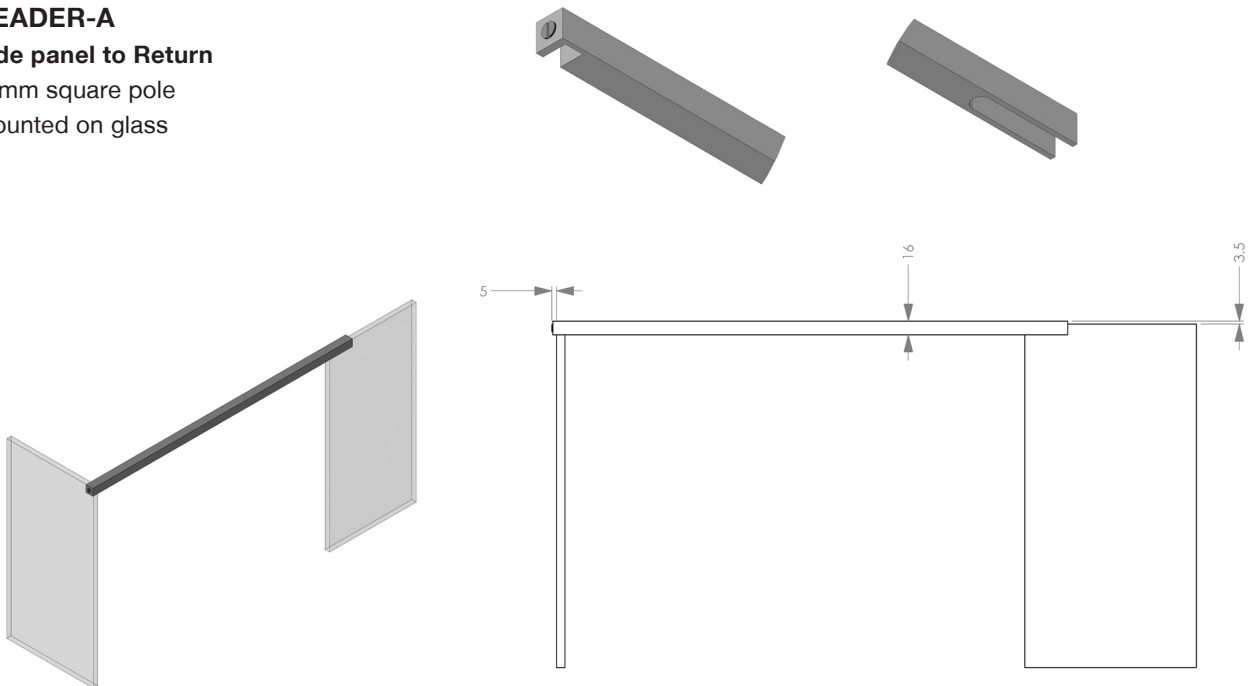
- Polished chrome
- Satin chrome
- Special finishes on request, lead time applies

#### TECHNICAL DETAILS

Custom lengths & angles available on request

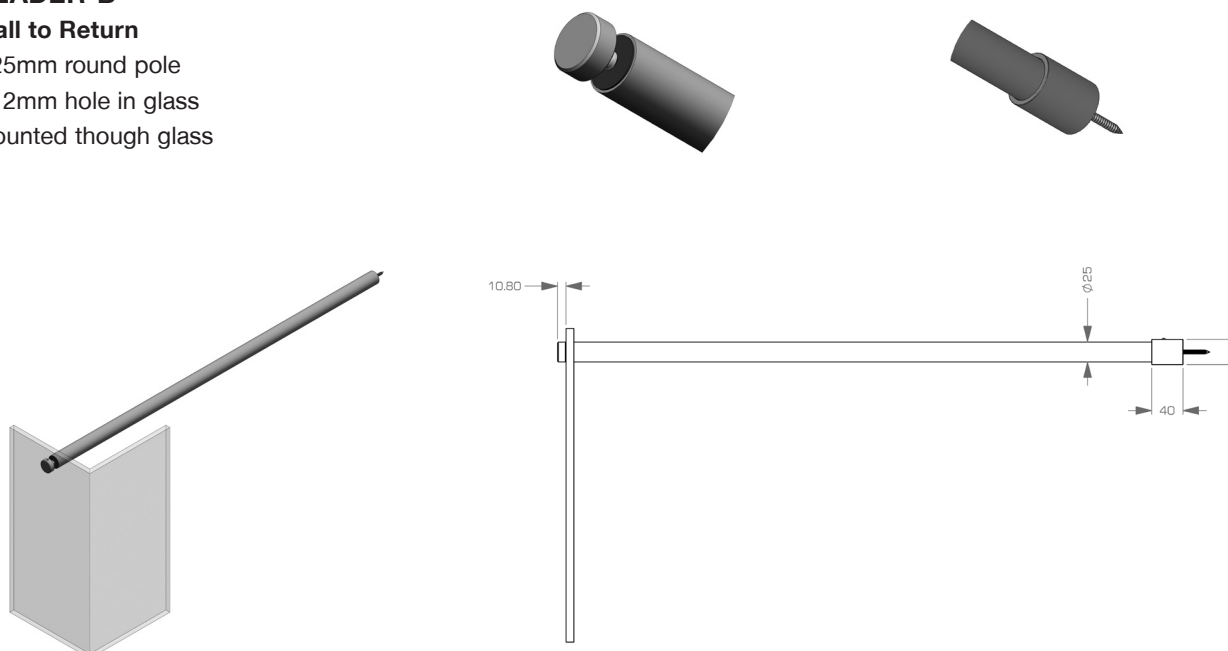
#### HEADER-A

**Side panel to Return**  
16mm square pole  
Mounted on glass



#### HEADER-B

**Wall to Return**  
Ø25mm round pole  
Ø12mm hole in glass  
Mounted through glass



### HEADERS

When extra bracing is required for a frameless glass shower, we provide a number of solutions. A header across the top of the enclosure can stabilize an oversized panel.

#### AVAILABLE FINISHES

- Polished chrome
- Satin chrome
- Special finishes on request, lead time applies

#### TECHNICAL DETAILS

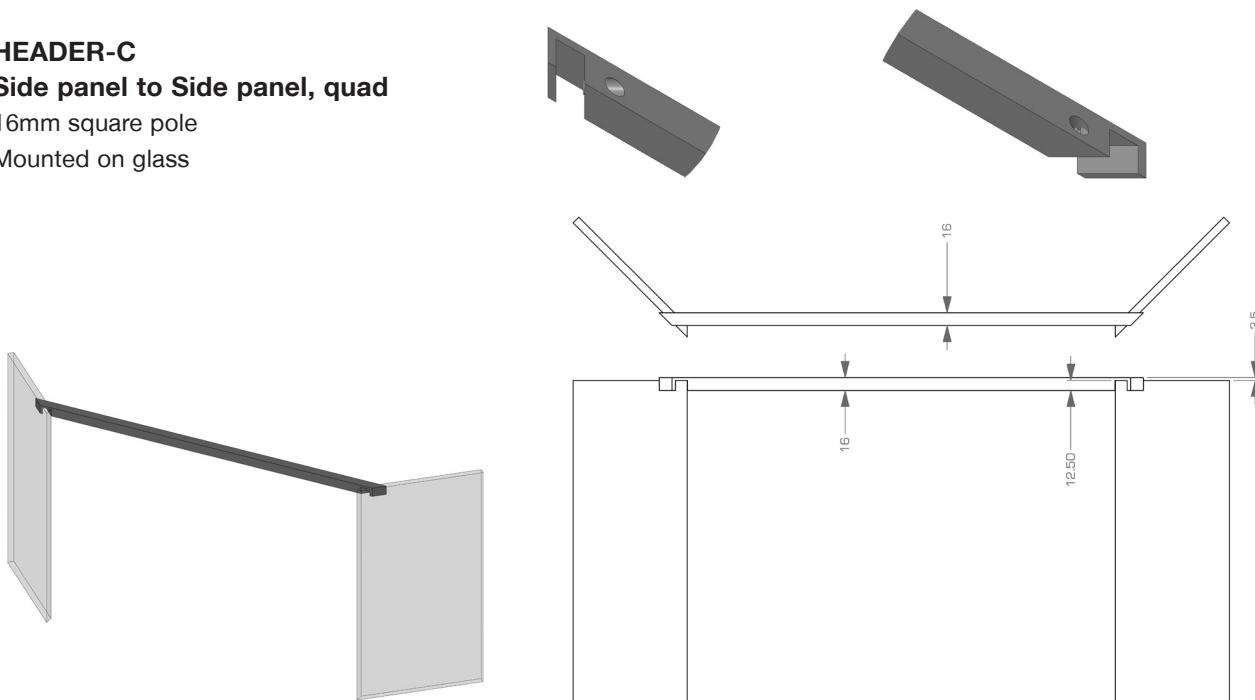
Custom lengths & angles available on request

#### HEADER-C

##### Side panel to Side panel, quad

16mm square pole

Mounted on glass

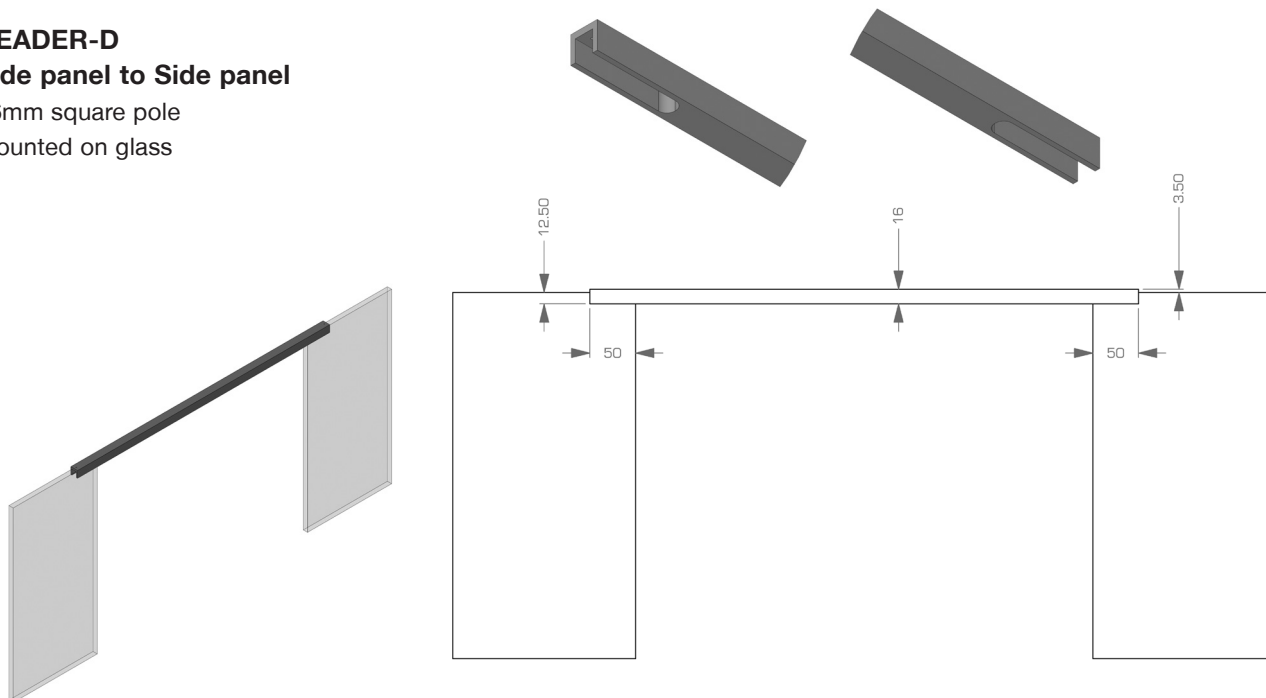


#### HEADER-D

##### Side panel to Side panel

16mm square pole

Mounted on glass



### HEADERS

When extra bracing is required for a frameless glass shower, we provide a number of solutions. A header across the top of the enclosure can stabilize an oversized panel.

#### AVAILABLE FINISHES

- Polished chrome
- Satin chrome
- Special finishes on request, lead time applies

#### TECHNICAL DETAILS

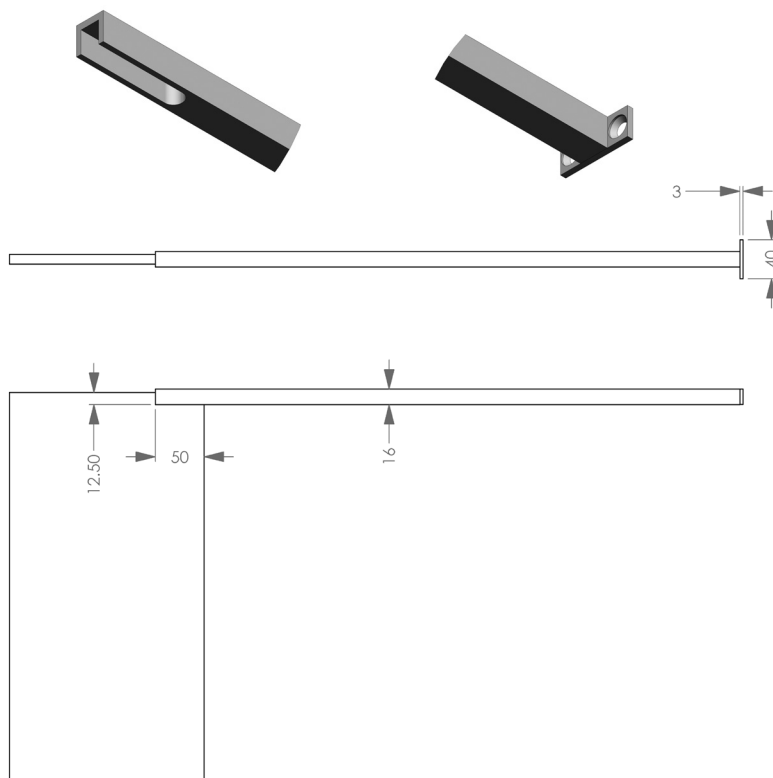
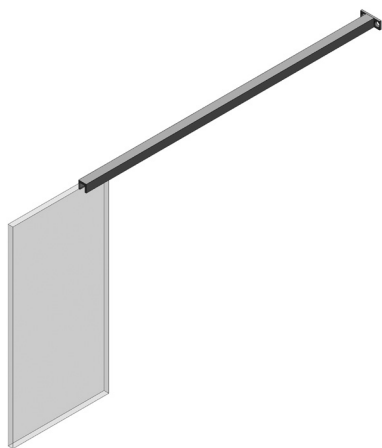
Custom lengths & angles available on request

#### HEADER-E

Wall to Side panel

16mm square pole

Mounted on glass

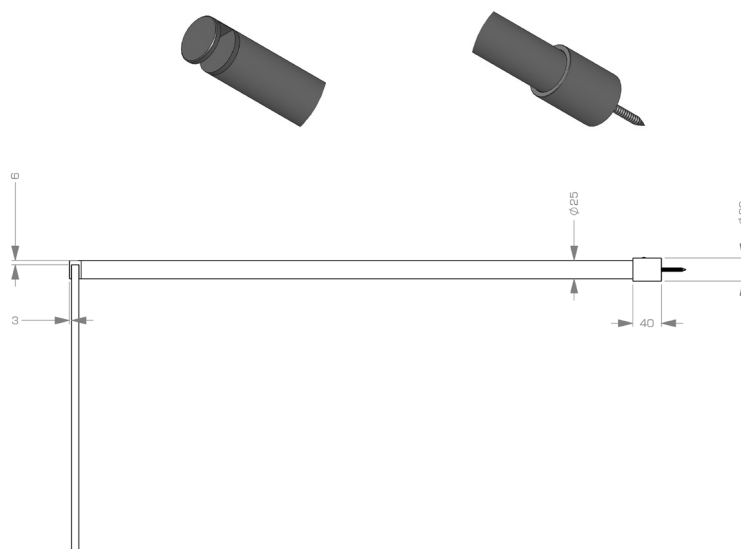
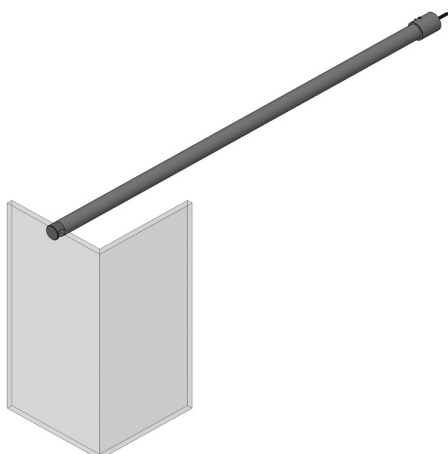


#### HEADER-F

Wall to Return panel

Ø25mm round pole

Mounted on glass



**RG40 Tenza Ultra Span Sliding Door System**

**AVAILABLE FINISHES**

Satin anodised aluminium

**APPLICATIONS**

Shower enclosures  
Interior home and office doors

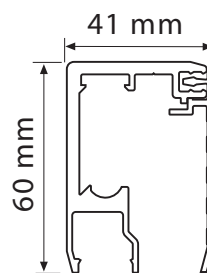
**TECHNICAL DETAILS**

Sliding door track is mounted between two walls  
Track is unsupported, ceiling fixings are not required  
Max span of 2 meters from wall to wall  
Max door weight = 40kgs  
Side panels are easily glazed into the top track and floor channel  
Floor guide and floor stop is inserted into the side panel floor channel, screwing through the floor is not required

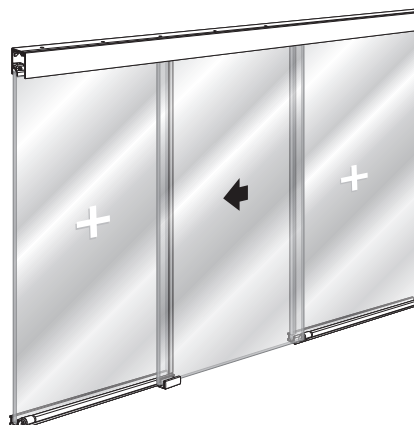
Supplied as a complete set. Each TENZA track pack contains;  
2m track, 2m track cover, 2m floor channel, 2m top track infill, 2x wheel assemblies, 2x top track door stops, 1x floor channel door guide, 1x floor channel door stop, 3x 2m clip on door bump seals and 2x track wall mounting brackets  
Additional floor channel stop required for a layout containing two side panels and a door.

Euroglass offer a specialist Tenza which spans up to 3 meters (lead time applies)

**COMMON CONFIGURATIONS;**



**Side panel with door**  
(standard TENZA track pack)



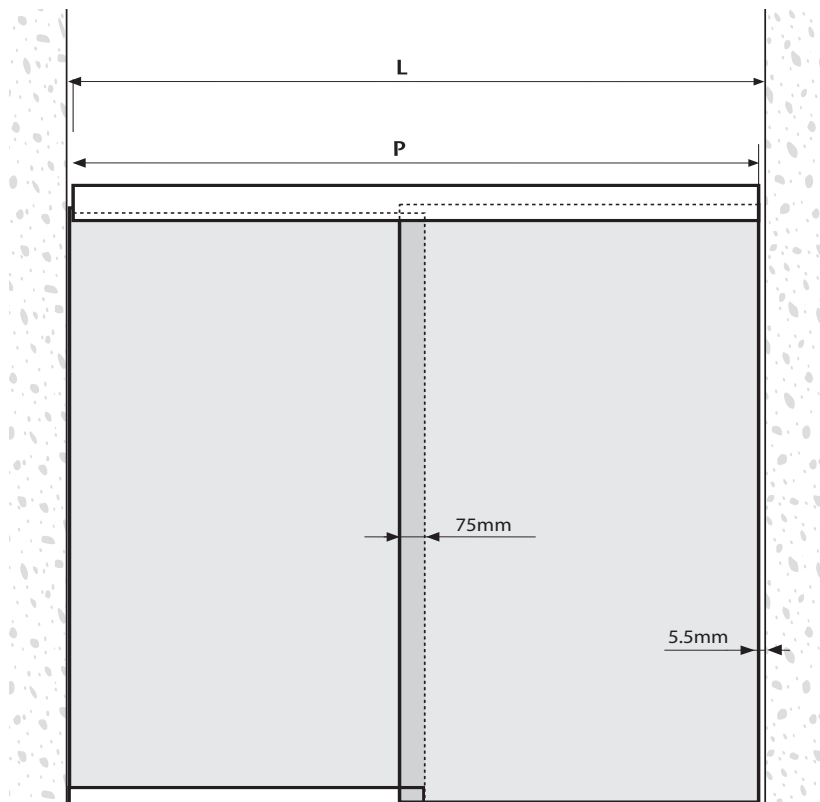
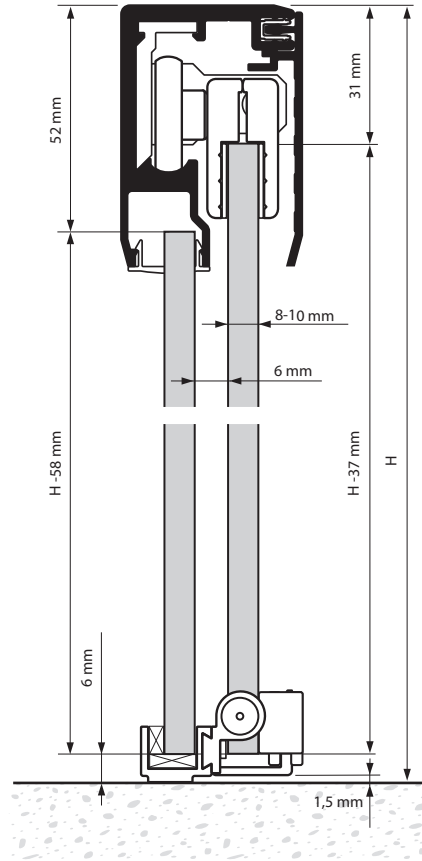
**Double side panel with door**  
(additional bottom track stop required)



**Centre panel with double door**  
(additional fittings required)

**RG40 Tenza Ultra Span Sliding Door System**

**GLASS DETAILS**



$P = L - 5 \text{ mm (max 2m)}$



**SS21 Euroglide rollers**

**AVAILABLE FINISHES**

- Polished stainless
- Satin stainless

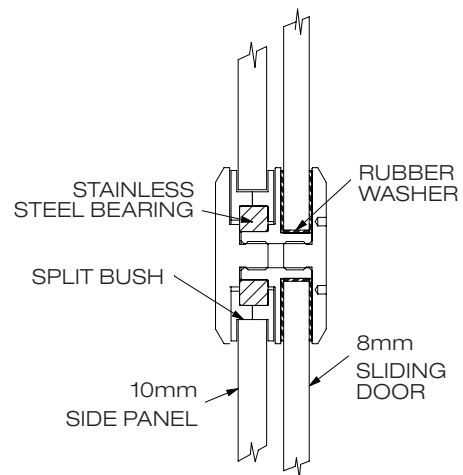
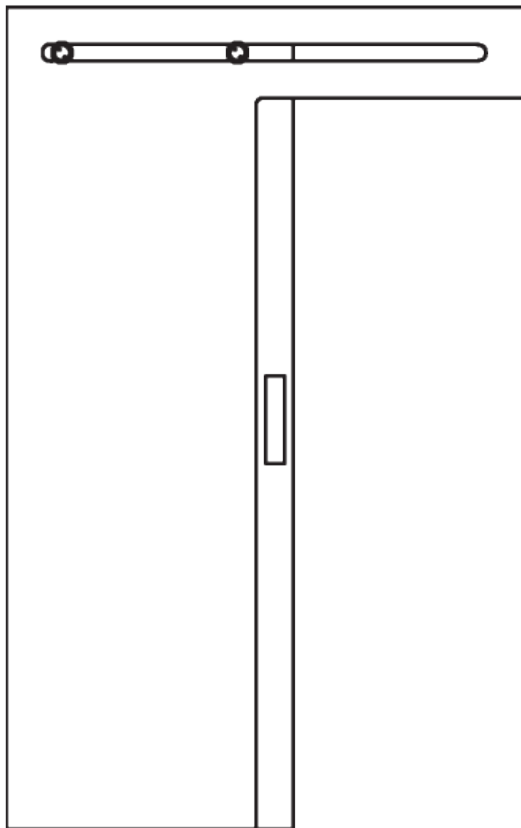
**TECHNICAL DETAILS**

50mm s/steel discs with s/steel bearings and black acetyl bush (two required per door)

Designed to fit with 8mm glass door and 10mm glass side panel featuring glass cut-out, as supplied by Viridian Glass

6.5mm gap required between door and fixed panel

Refer our website for Glass detail & installation information



**SHOWER:**  
VERONA SLIDING SYSTEM

CALL: (09) 624-1180  
www.euroglass.co.nz



**SS30 Verona** sliding shower kits

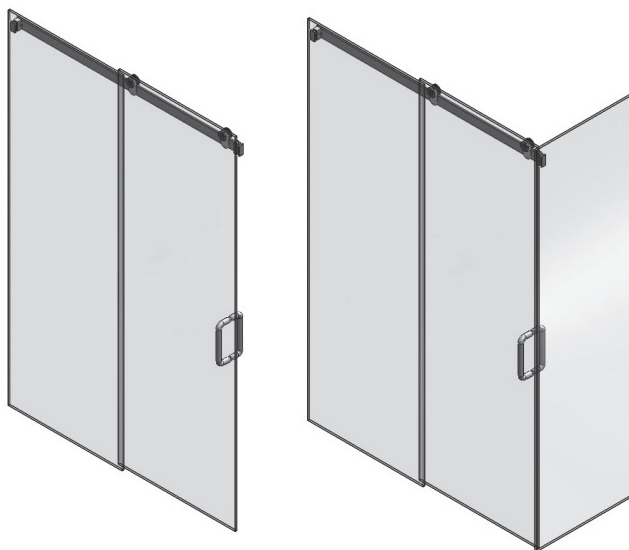
**AVAILABLE FINISHES**

- Satin stainless steel
- Polished stainless steel

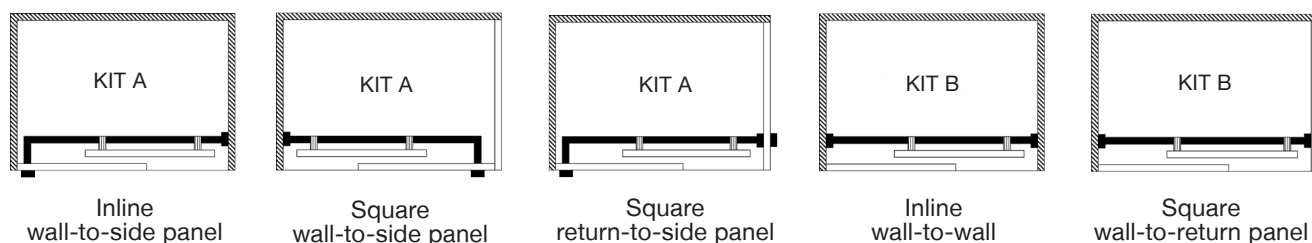
**TECHNICAL DETAILS**

Manufactured in stainless steel  
Designed for 10mm toughened glass  
Suitable for both inline and square showers  
Able to be fixed to glass or solid walls  
Maximum hanger load 45kg per door  
Rail is a rectangular hollow section  
Rail height 50mm, thickness 10mm

Custom kits available upon request

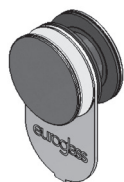


**STANDARD SHOWER CONFIGURATIONS**

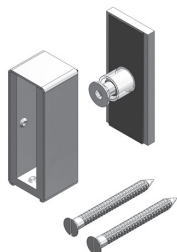


**KIT A or B supplied based on the shower configurations above**

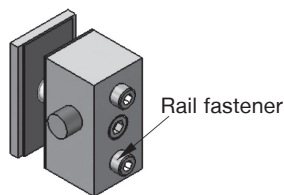
KIT A	KIT B
Door opening 600mm Rail length 1350mm	Specify tight opening size upon ordering Max opening width 1400mm
1 x Rail	1 x Rail
1 x Glass/Wall Mount	2 x Glass/Wall Mounts
1 x Side Panel Mount/Stop	2 x Hangers
2 x Hangers	1 x Adjustable Stop
1 x Rail End Plug	1 x Door Seals (3m)
1 x Door Seal (3m)	1 x Floor Guide
1 x Floor Guide	



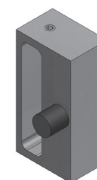
SS30H  
Hanger



SS30WM  
Glass/Wall Mount



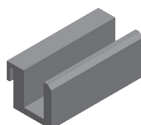
SS30SM  
Side Panel Mount/Stop



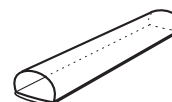
SS30AS  
Adjustable Stop



SS30RAIL  
Rail

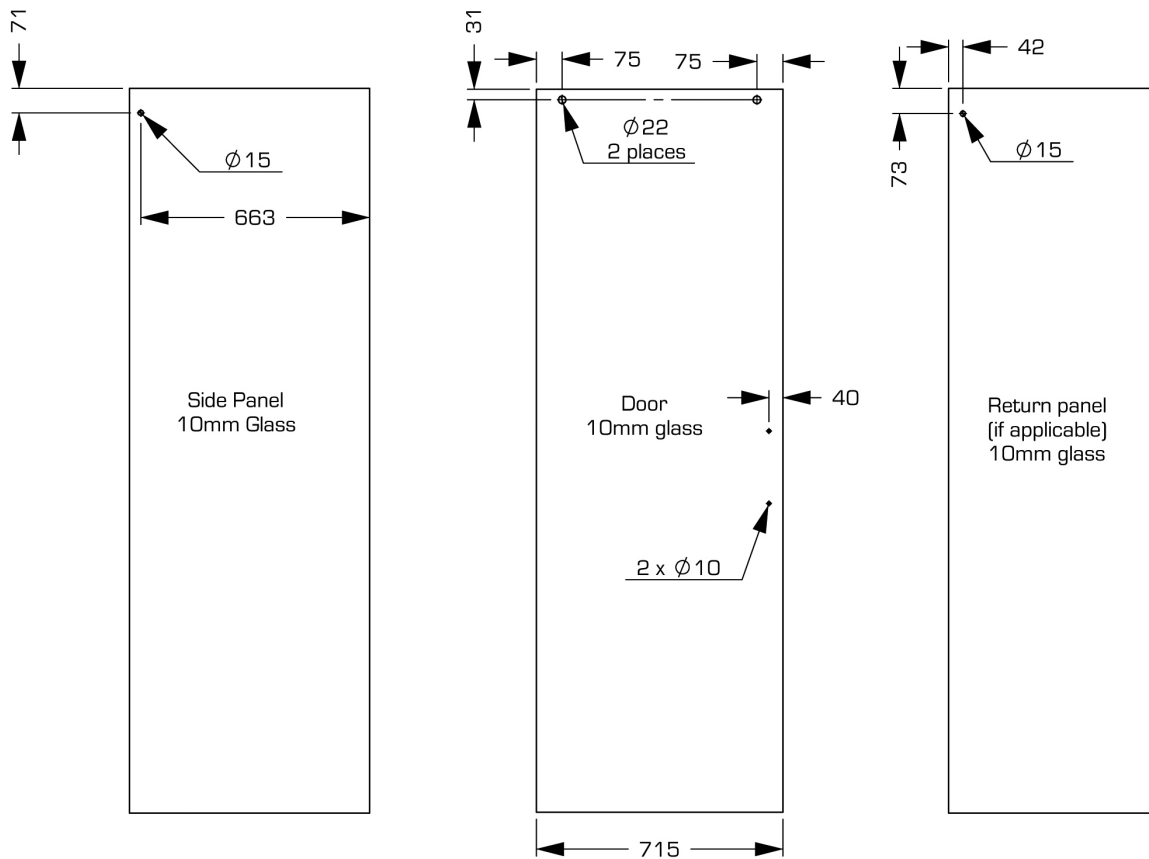
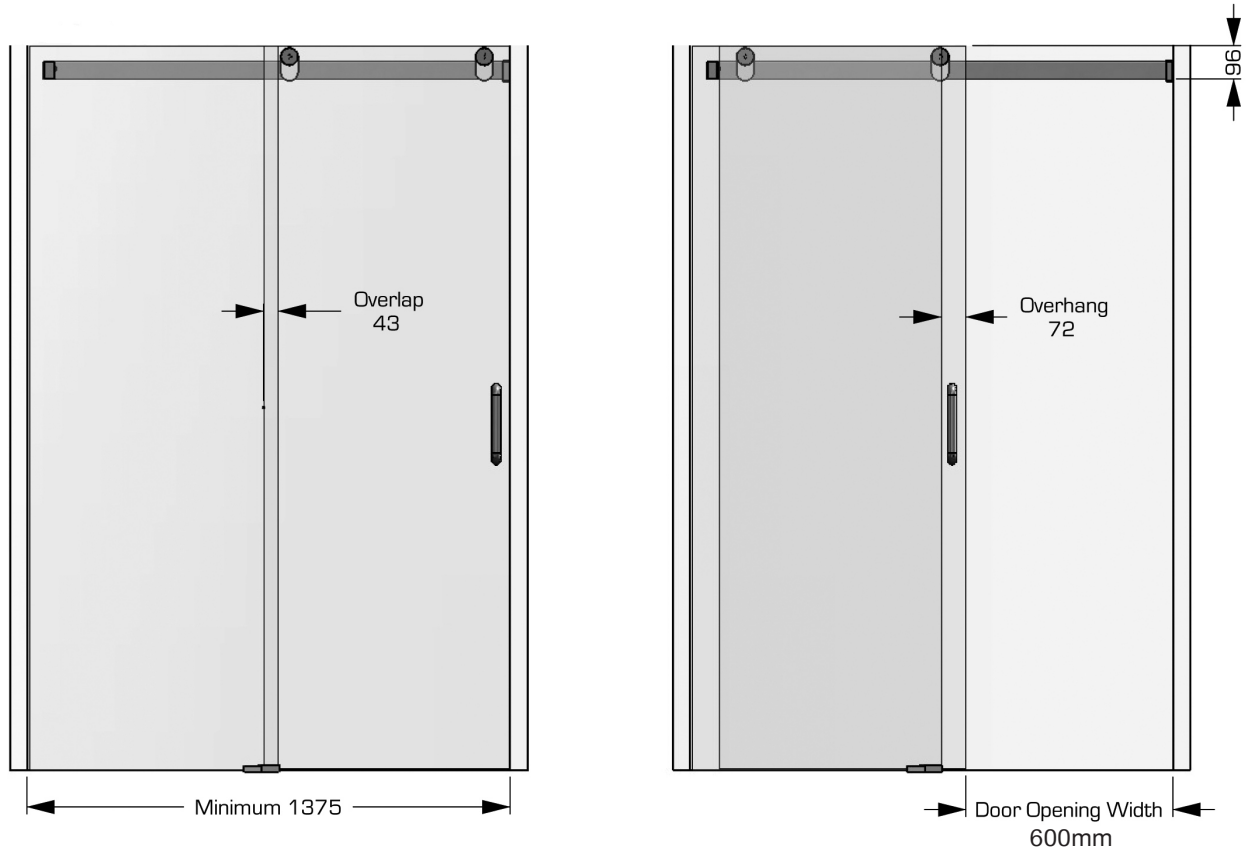


SSG10  
Floor Guide

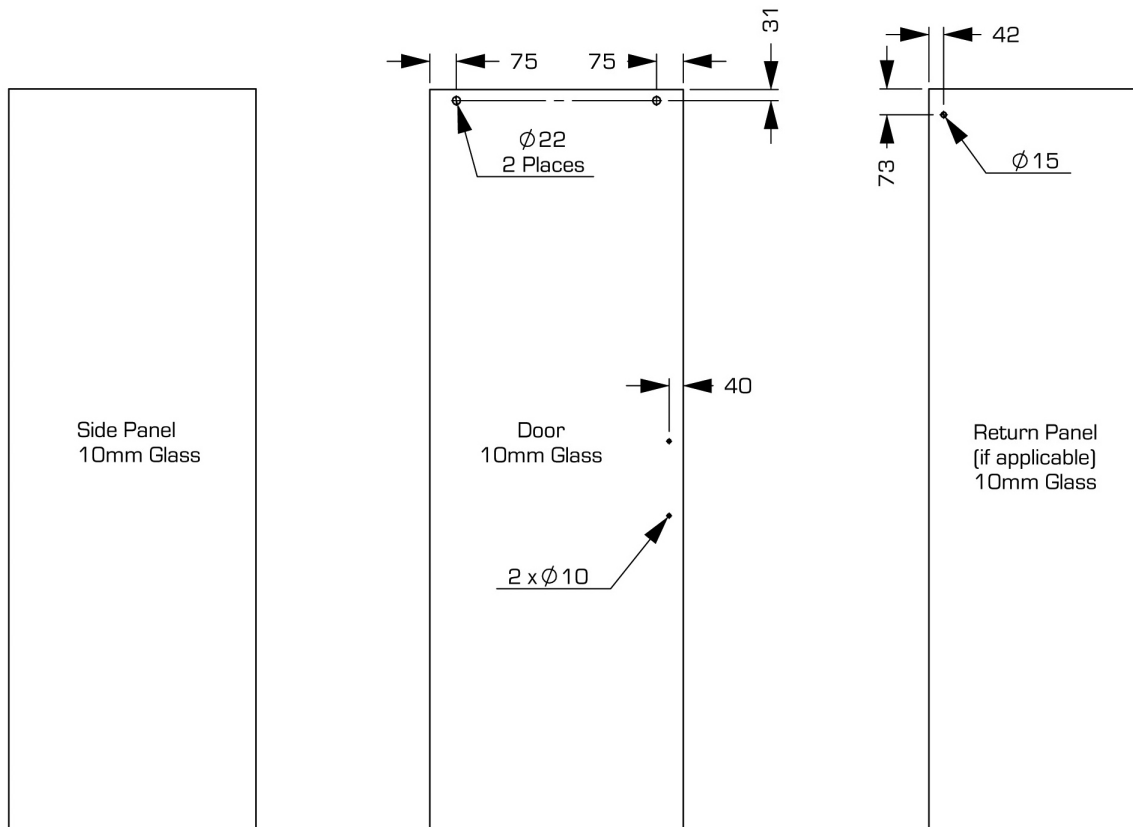
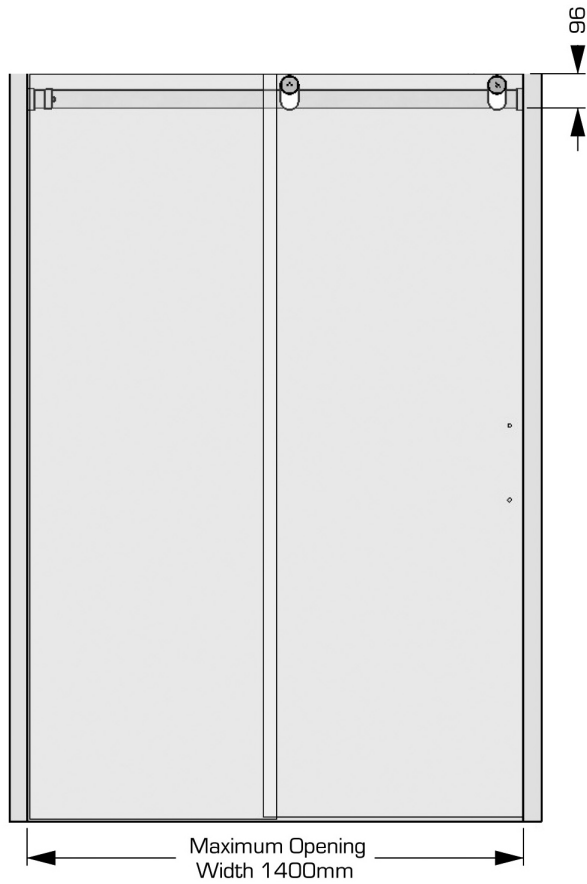


DS4  
Door Seal (3m length)

**SS30 Verona sliding shower kits**  
**GLASS CUTOUT DETAIL: KIT A**



**SS30 Verona sliding shower kits**  
**GLASS CUTOUT DETAIL: KIT B**



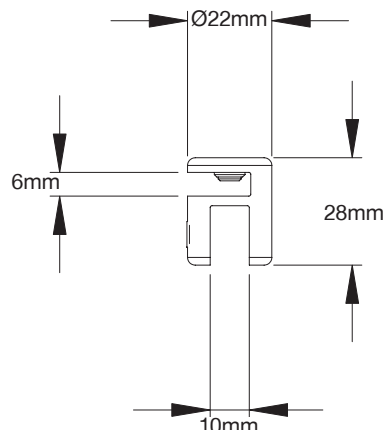
**OPF1** Overpanel bracket

**AVAILABLE FINISHES**

- Polished stainless
- Satin stainless

**TECHNICAL DETAILS**

Suits 10mm glass shower with  
6mm glass overpanel  
Fixed to glass by teflon tipped grub screws



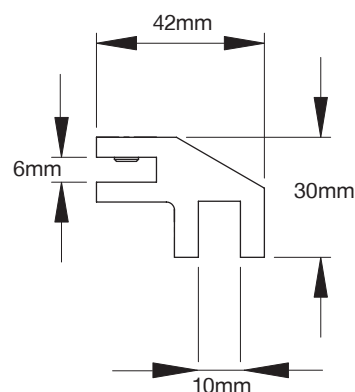
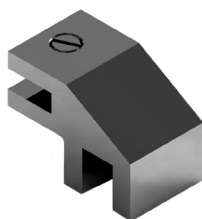
**OPF2** Overpanel bracket

**AVAILABLE FINISHES**

- Polished stainless
- Satin stainless

**TECHNICAL DETAILS**

Suits 10mm glass shower with  
6mm glass overpanel  
Fixed to glass by teflon tipped grub screws



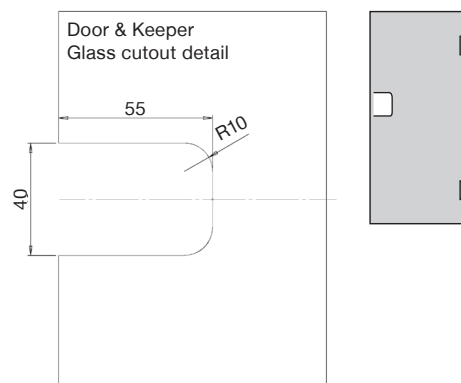
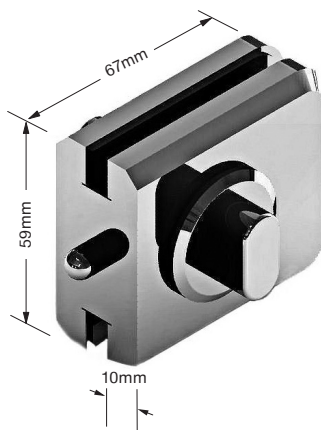
**FF9306** Riviera boat latch to suit 6mm glass  
**FF93010** Riviera boat latch to suit 10mm glass

**AVAILABLE FINISHES**

- Polished chrome
- Special finishes on request, lead time applies

**TECHNICAL DETAILS**

Manufactured in brass  
Sliding bolt spring action  
Non locking  
To be used in conjunction with  
ES hinge range for boat showers



**FF9306K/FF93010K** Glass Keepers  
to suit latch, lead time applies

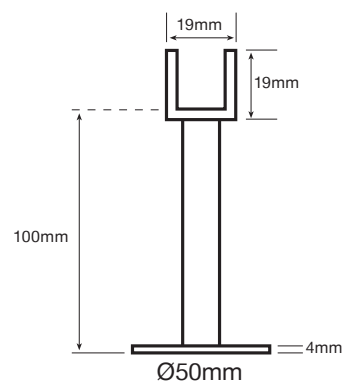
**SSB100** Shower support bracket

**AVAILABLE FINISHES**

- Polished chrome
- Satin chrome
- Selected powdercoat, lead time applies

**TECHNICAL DETAILS**

Manufactured in solid brass  
50mm diameter base and 19mm diameter leg  
19 x 19 U channel  
N.B. Standard 100mm height  
Custom sizes up to 500mm height



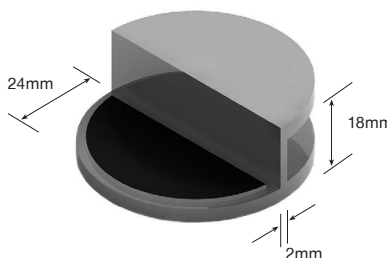
**SB10STOP** Shower door stop

**AVAILABLE FINISHES**

- Polished chrome
- Satin chrome
- Special finishes on request, lead time applies

**TECHNICAL DETAILS**

Manufactured in solid brass  
Fixing to glass by teflon tipped grub screw  
Glass stops against the rubber gasket shown  
Suits 10mm glass



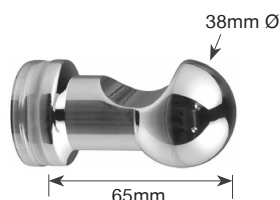
**RH1** Robe hook

**AVAILABLE FINISHES**

- Polished chrome
- Satin chrome

**TECHNICAL DETAILS**

Manufactured in solid brass  
10mm glass hole diameter



**TRHG1** Toilet roll holder with glass bar

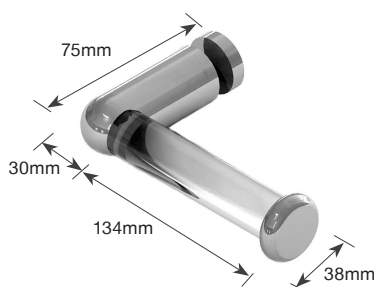
**TRH1** Toilet roll holder with stainless steel bar

**AVAILABLE FINISHES**

- Polished chrome

**TECHNICAL DETAILS**

Manufactured in solid brass with  
134mm x 25mm dia. glass or stainless steel rod  
Glass hole diameter 10mm  
Can be glue fixed (lead time applies)  
Can be adapted to suit wall fixing (lead time applies)



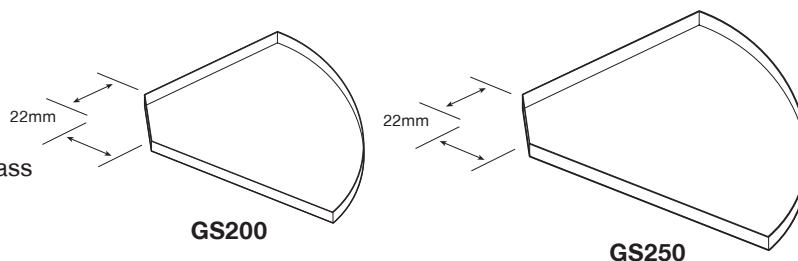
**GS200CFL/GS200LOW and GS250CFL/GS250LOW Corner glass shelves**

**CORNER SHELVES**

GS200 with 200mm radius  
GS250 with 250mm radius

**TECHNICAL DETAILS**

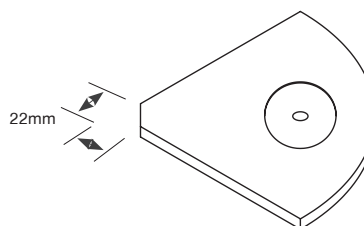
- Available in either 10mm toughened clear glass or 10mm toughened Diamant low iron glass



**GS05 Corner glass shelf with soap recess**

**TECHNICAL DETAILS**

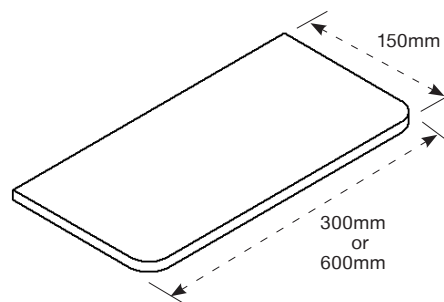
- 10mm toughened clear glass
- with soap recess
- 200mm radius



**GS03/GS04 Rectangular glass shelf**

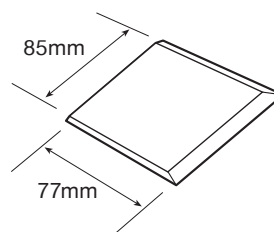
**TECHNICAL DETAILS**

- 10mm toughened clear glass
- radius corners
- GS03: 300mm x 150mm
- GS04: 600mm x 150mm



DISCONTINUED ITEM - WHILE STOCK LASTS - CHECK AVAILABILITY

**SP1 Silicone spatula**



**PP1.5/PP2/PP3/PP4/PP5/PP6 Plastic packers**

