

NOTES:

1. This proprietary pool fence system complies with New Zealand Building Code Clause B1 Structure and B1/VM1, F2 Hazardous Building Materials and NZS 8500:2006 Safety Barriers and Fences around Swimming Pools, Spas and Hot Tubs, subject to:

- all products meeting the required performance specification
- site installation carried out in accordance with the intent of this drawing

2. Safety glass options and maximum heights for wind zones are:

12mm toughened safety glass or 13.2 mm toughened laminated safety glass

Medium wind zone and below: 1300 mm
High wind zone: 1250 mm
Very high wind zone: 1200 mm

15mm toughened glass or 17.2 mm toughened laminated safety glass

Medium wind zone and below: 1450 mm
High wind zone: 1350 mm
Extra high wind zone: 1200 mm.

Pool fence or wind break > 1200mm high should have gap clamps to interlink the glass panes together.

3. To make allowance for the consequences of failure required by B1.3.4 of the Building Code, toughened laminated safety glass should be used.

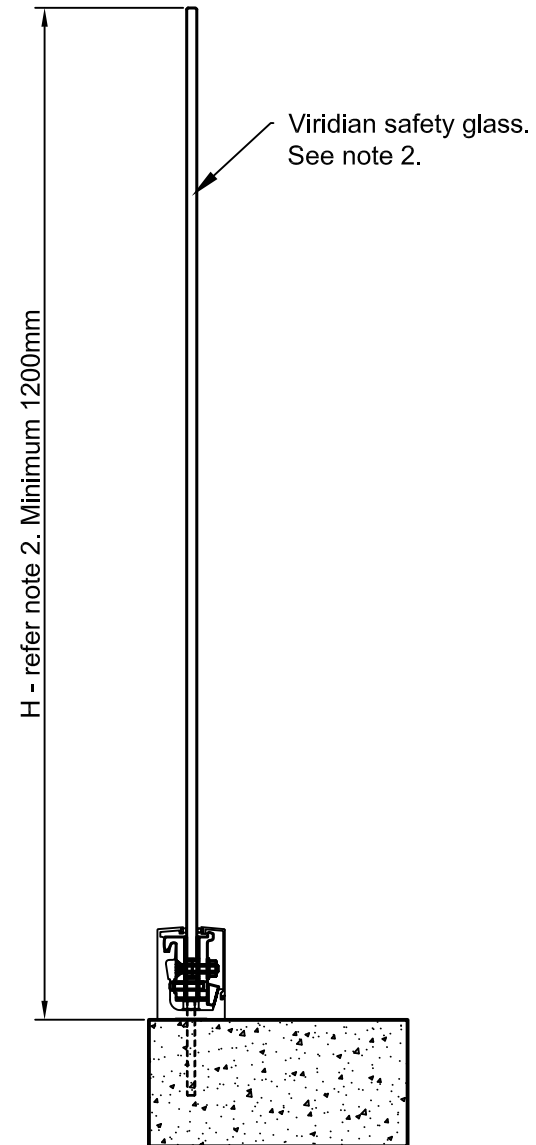
4. Concrete, steel and timber design is the responsibility of others.

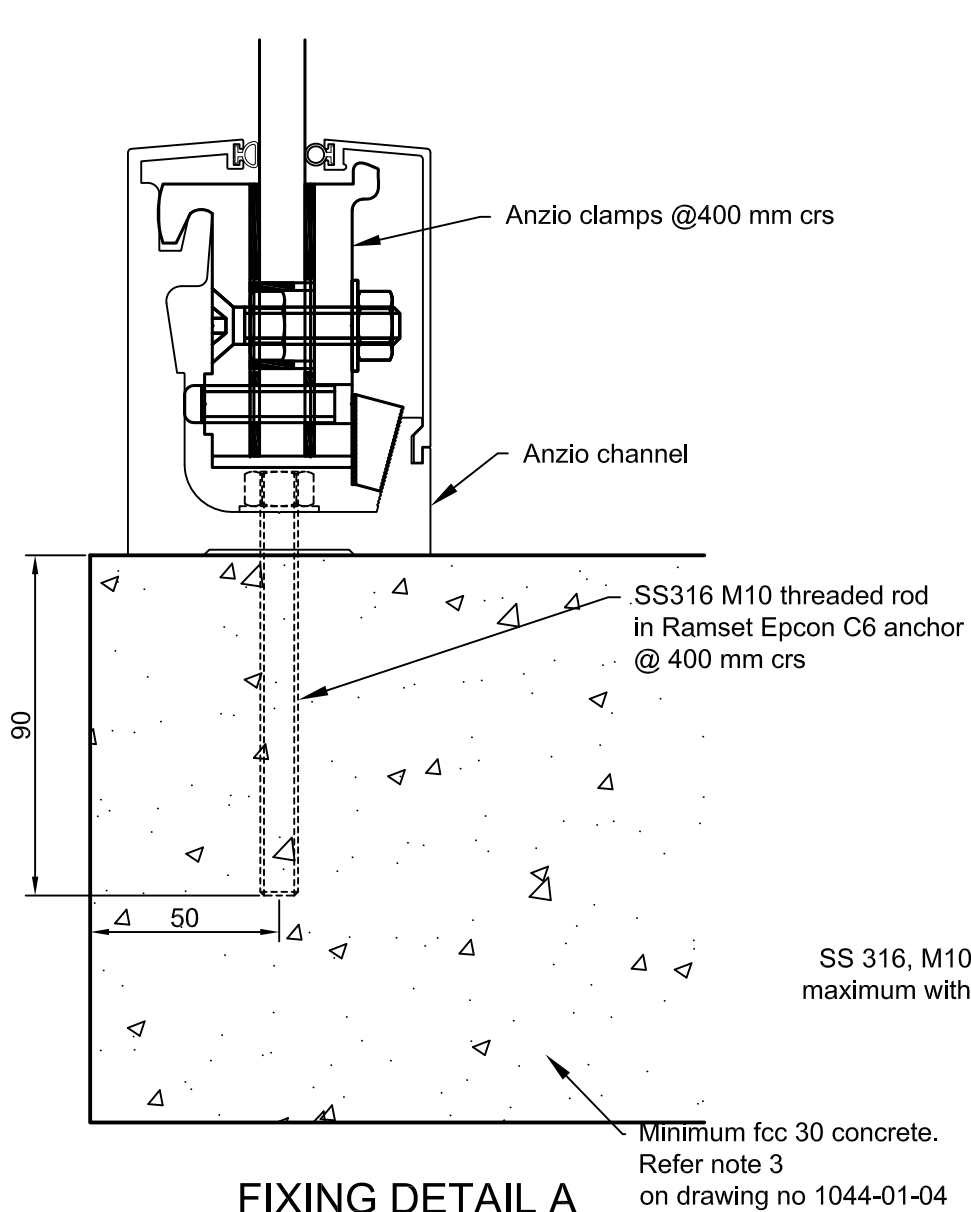
5. Minimum width of glass pane to be 1000mm unless connected by interlinking rail or brackets.

6. The distance between the base fixing and the end of the channel or a joint must not exceed 200mm.

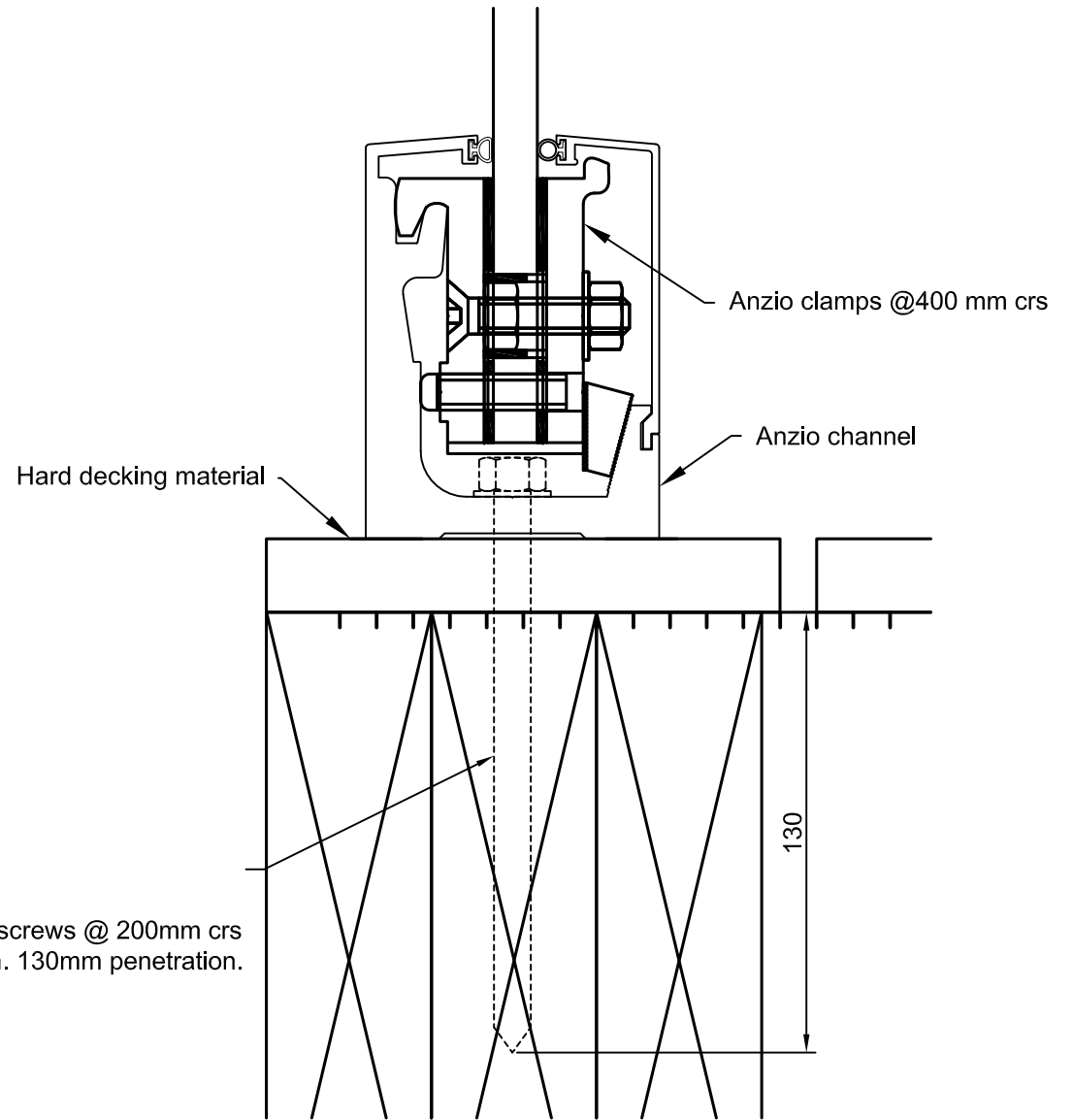
7. Do not use this design if the pool fence safeguards a fall of 1 m or more.

8. Do not install over flashings or waterproofing membrane as this may result in excessive movement of the fence, and risk of moisture penetration into the building.

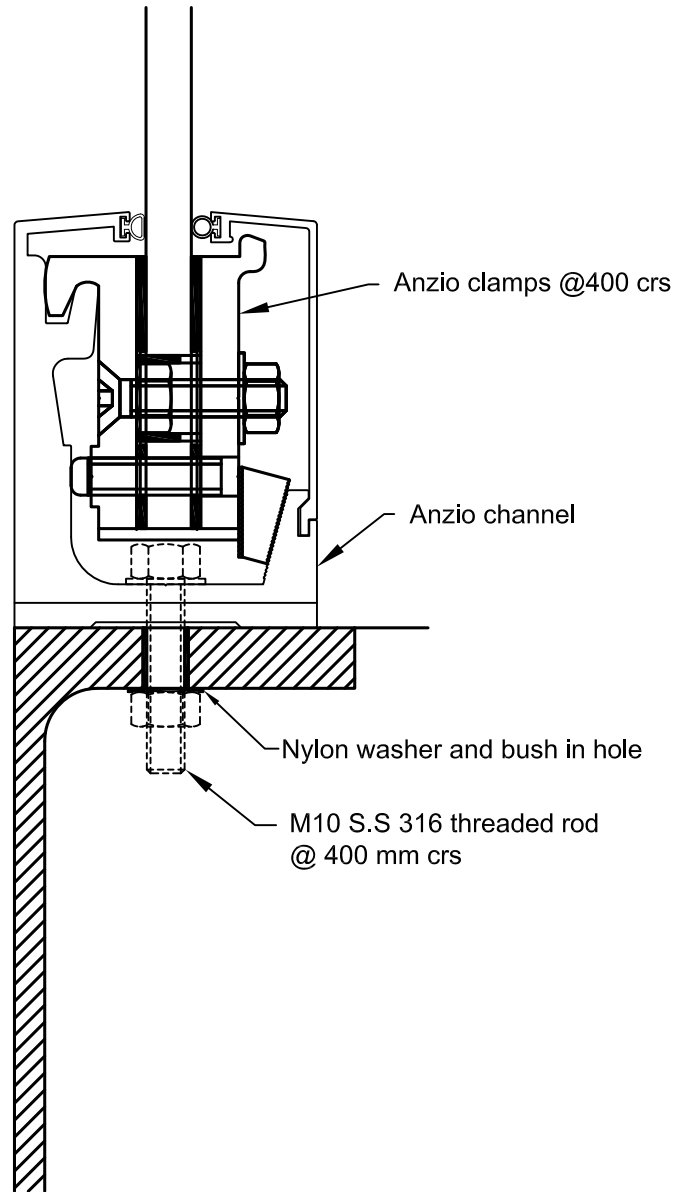




**FIXING DETAIL A
CONCRETE**



**FIXING DETAIL B
WET EXPOSED SG8 TIMBER (low
to medium wind zone only)**



Anzio clamps @400 crs

Anzio channel

Nylon washer and bush in hole

M10 S.S 316 threaded rod @ 400 mm crs

FIXING DETAIL A - STEEL



A division of Viridian Glass Ltd Partnership

ANZIO RESIDENTIAL FLOOR MOUNTED BALUSTRADE SYSTEM

date 14-9-16

scale 1:2

drawing no APF-3

rev no