

NOTES:

1. This proprietary pool fence complies with New Zealand Building Code Compliance Documents B1 Structure, F2 Hazardous Building Materials and NZS 8500:2006 on Safety Barriers and Fences Around Swimming Pools, Spas and hot Tubs, subject to:

- all products meeting the required performance specification
- site installation carried out in accordance with intent of this drawing

2. Based on 330 N point load from NZS 8500:2006, maximum heights of glass above Lugano clamp for high wind zone or less are:

Wind zones:	
Medium	1350 mm
High	1250 mm

3. Viridian safety glass options are:

- a. 12mm toughened glass
- b. 13.5mm toughened laminated glass with interlinking corner brackets
- c. 13.52mm toughened SentryGlas laminated glass

Glass panes must be at least 1 m wide unless connected to adjacent panes or the building by interlinking corner brackets.

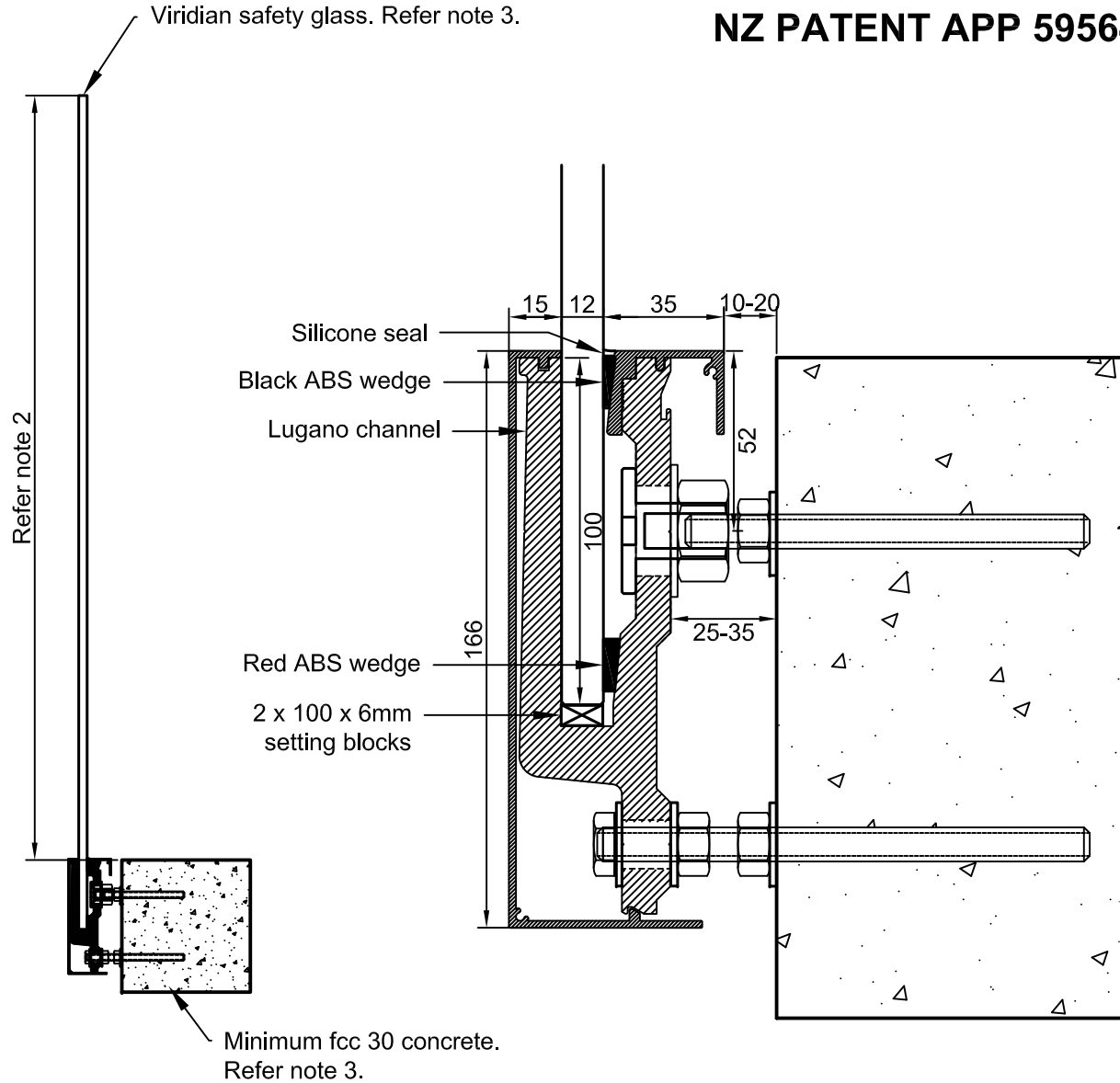
To make due allowance for the consequences of failure required by clause B1.3.4 of Building Code B1, glass options b and c should be used.

4. The design of concrete, timber or steel support is the responsibility of others.

5. Effective fence height shall not be less than 1200mm (see figures 3.1, 3.2, 3.7 and 3.9 of NZS 8500:2006)

6. **Do not use this design if the pool fence protects a fall of 1 metre or more. Contact Euroglass for specific design.**

NZ PATENT APP 595645



A division of Viridian Glass Ltd Partnership

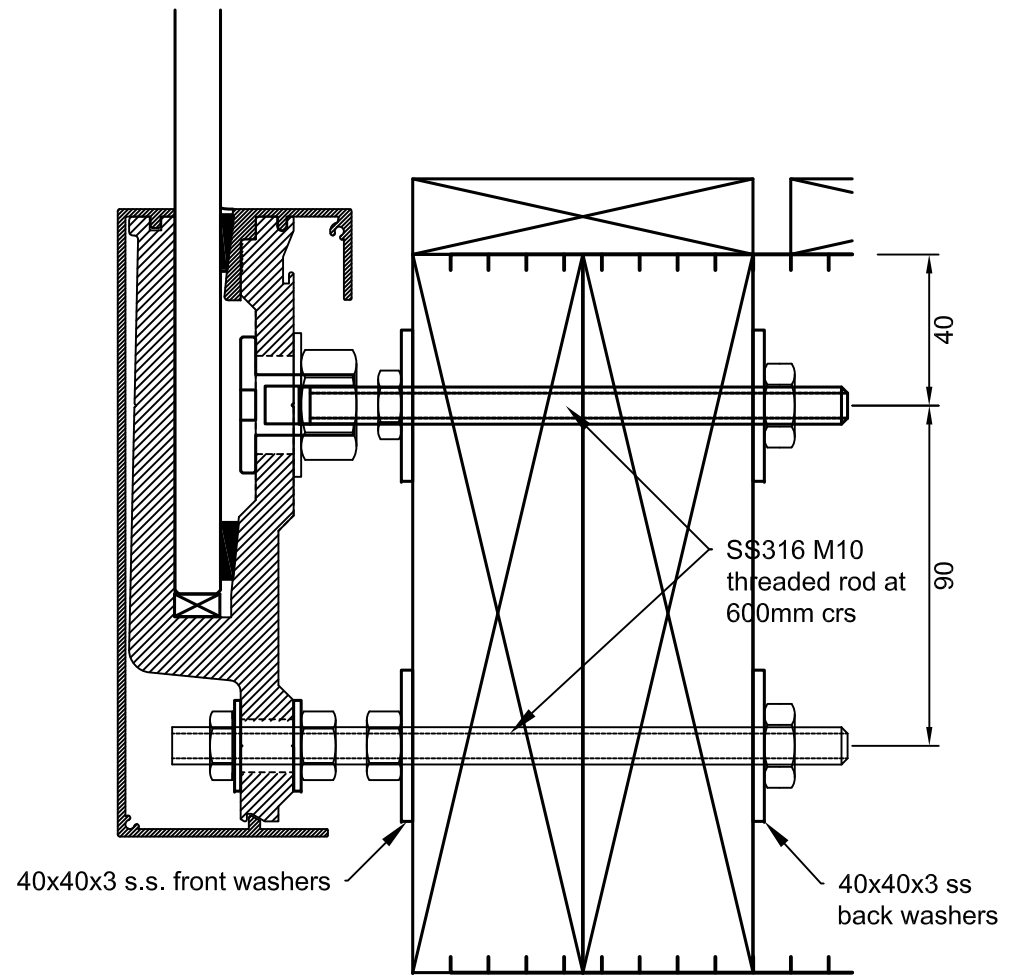
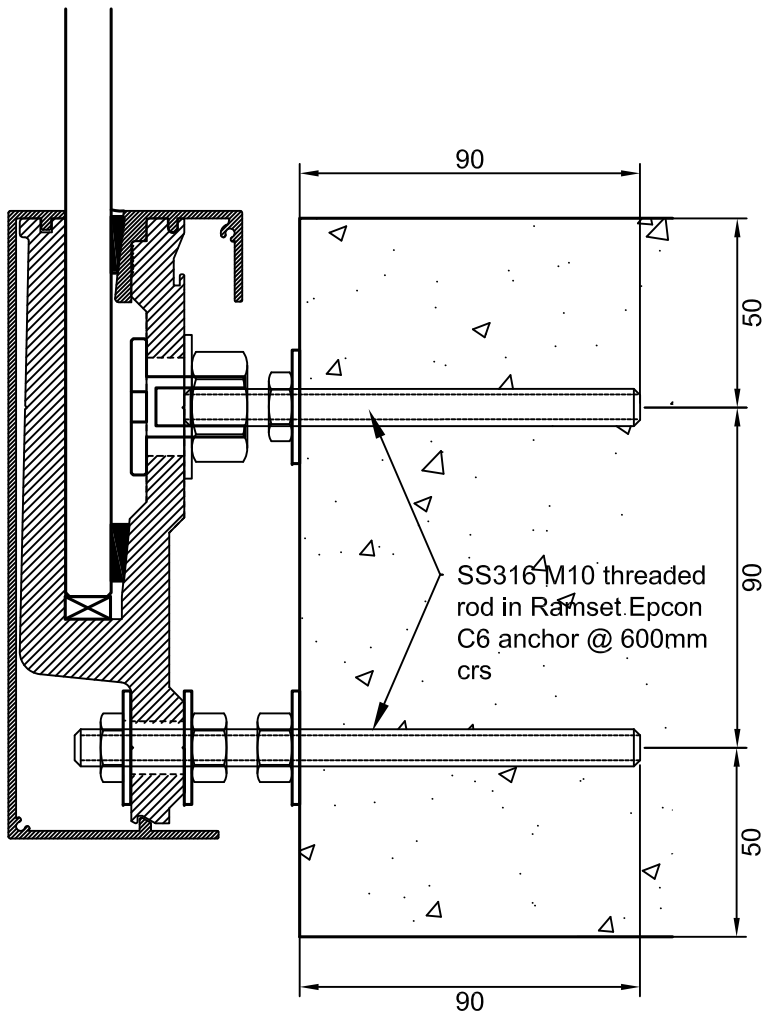
LUGANO POOL FENCE / WIND BREAK

DATE 18-1-16

DRAWING NO

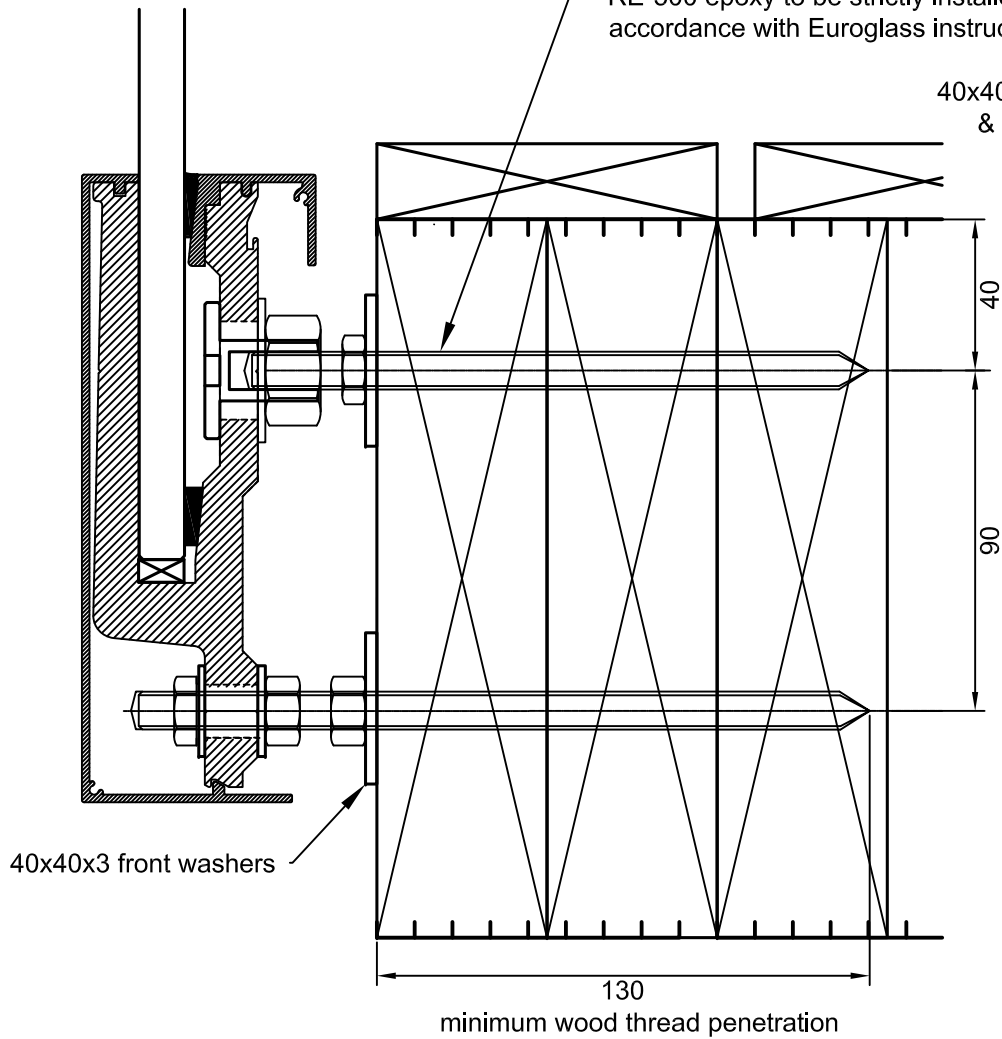
SCALE 1:2 & 1:10

LPF-1 d



SS316 M10 lagscrews @ 600 mm crs maximum with Sika Anchorfix 3 or Hilti RE-500 epoxy to be strictly installed in accordance with Euroglass instructions

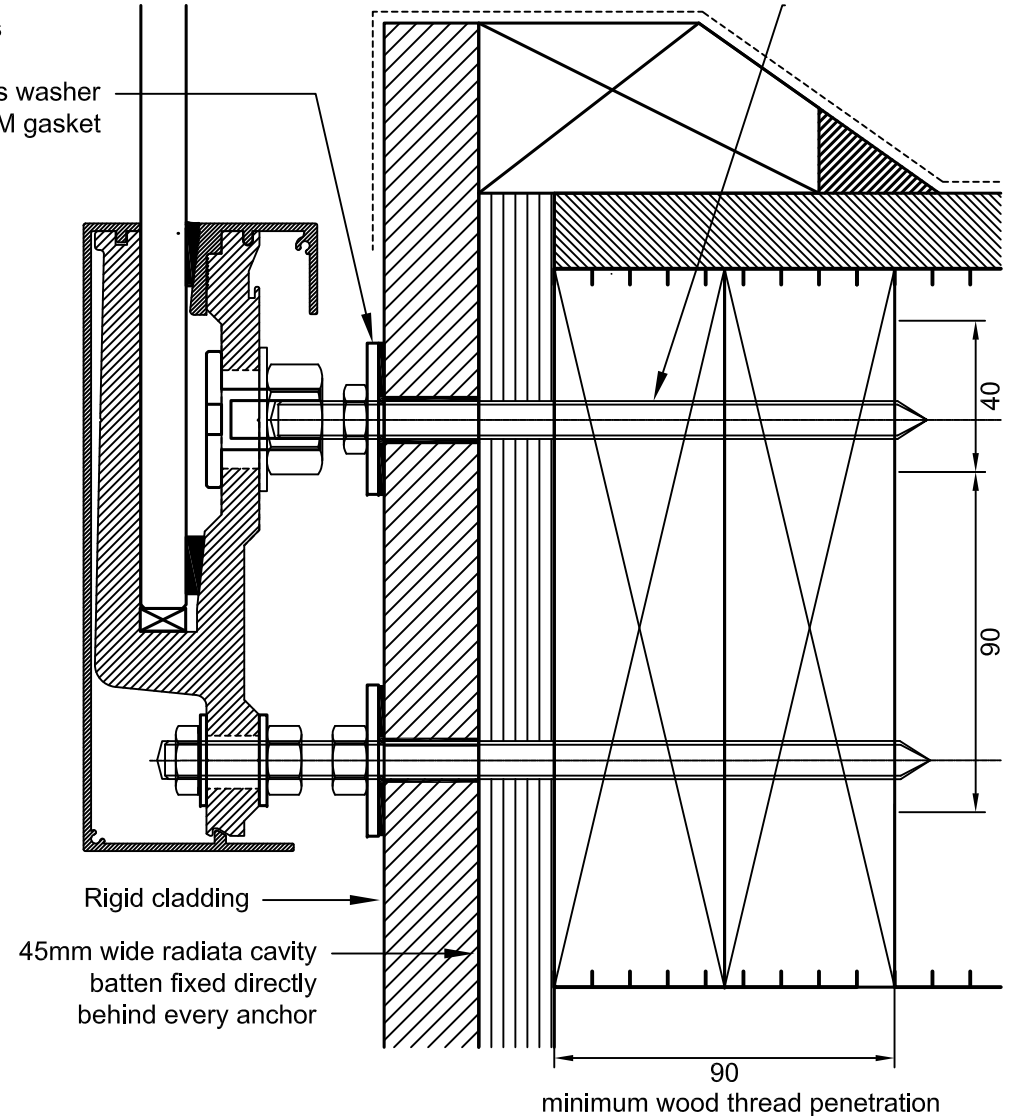
40x40x3 ss washer & EPDM gasket



40x40x3 front washers

WET EXPOSED SG 8 TIMBER

SS316 M10 lagscrews at 600mm crs maximum with Sika Anchorfix 3 or Hilti RE-500 epoxy to be installed strictly in accordance with Euroglass instructions



Rigid cladding

45mm wide radiata cavity batten fixed directly behind every anchor

DRY CONCEALED SG 8 TIMBER

