

EUROROLLER RS10 SLIDING SYSTEM

- RS10-2SD** 2m track, for single door
- RS10-4SD** 4m track, for single door
- RS10-4DD** 4m track, for double door

AVAILABLE FINISH

- Rollers - polished or satin stainless steel
- Track - satin stainless steel

TECHNICAL DETAILS

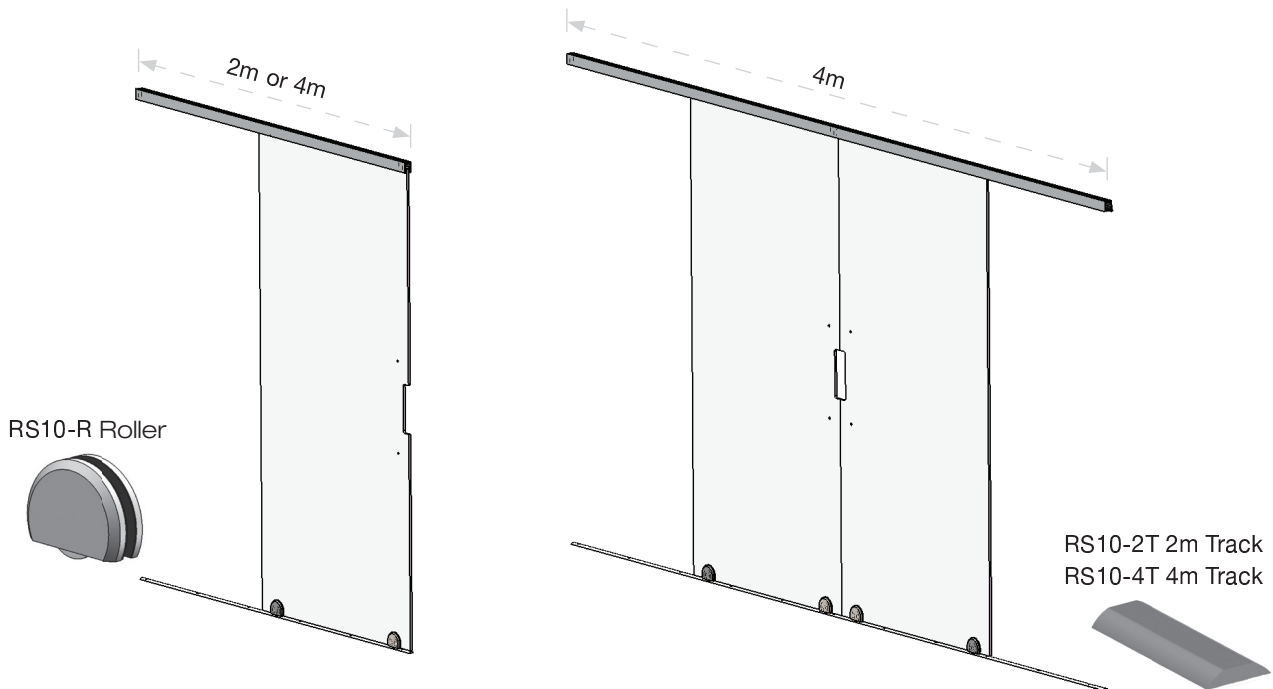
Each pack includes: Bottom Track (either 2m or 4m), Rollers & Stops, Felt brush seal (for channel), COM1 top channel guide (either 2m or 4m) and 2x COM3 End caps

Two rollers & two stops supplied per door

Suits 10mm and 12mm glass thickness

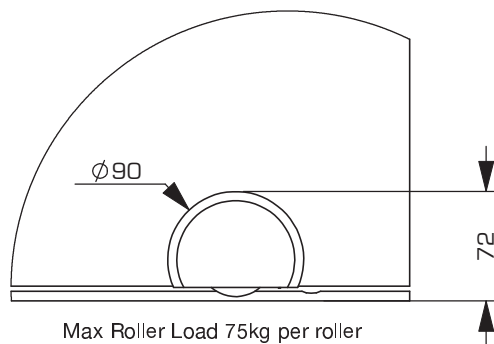
Max load 150kg per door

Please contact us for package information for side panel solutions and refer to our website for further technical details



RS10-2SD single door 2m track
RS10-4SD single door 4m track

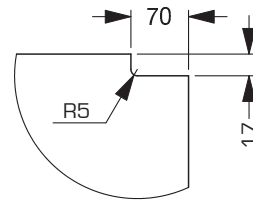
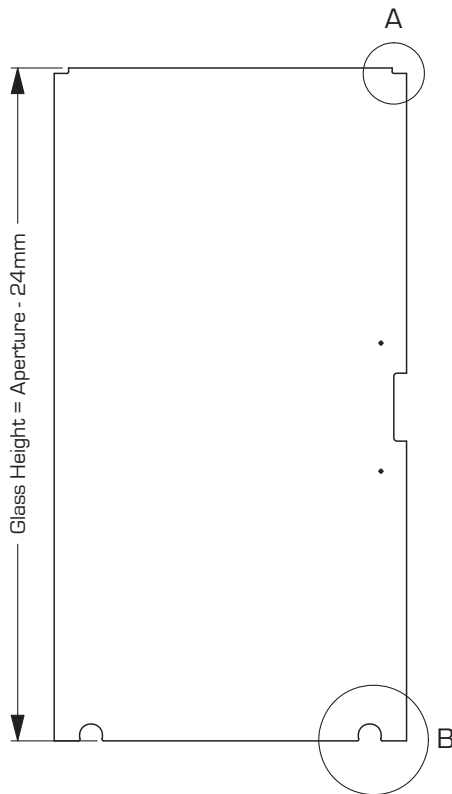
RS10-4DD double door 4m track



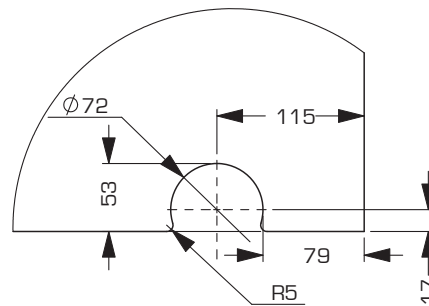
Max Roller Load 75kg per roller

RS10-R Roller detail

**EUROROLLER RS10 SLIDING SYSTEM
GLASS DETAIL**



Stop - glass cutout detail



Roller - glass cutout detail

RS10 CROSS SECTION DETAIL

