

NOTES:

1. This proprietary balustrade system complies with New Zealand Building Code Clauses B1 Structure, F2 Hazardous Building Materials and F4 Safety From Falling Third Edition, subject to:

-all products meeting the required performance specification
 -site installation carried out in accordance with the intent of this drawing

2. Based on occupancy type A (other) or C3, maximum height of glass above the Monaco clamp for wind zones are listed in the table below.

Viridian safety glass options according to 22.4.3 of NZS 4223.3:2016 are:

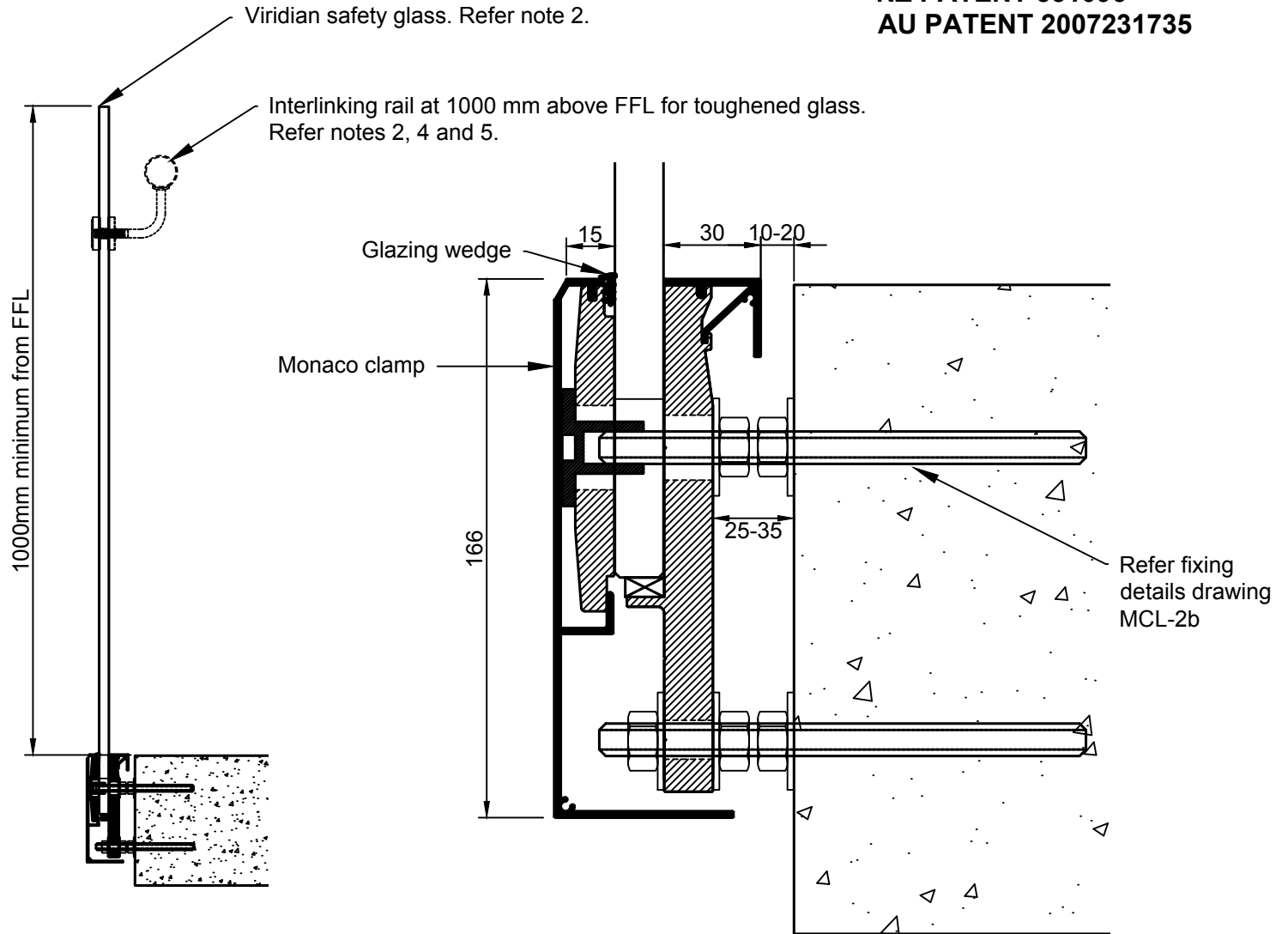
- a. 15mm toughened glass with interlinking rail
- b. 17.2mm toughened laminated glass with gap clamps
- c. 17.52mm toughened SentryGlas laminated glass with gap clamps

3. Concrete, timber and steel design is the responsibility of others

4. A handrail of 32-50mm diameter is required for stairs and ramps exceeding 1:20 slope. Refer NZBC D1/AS1.

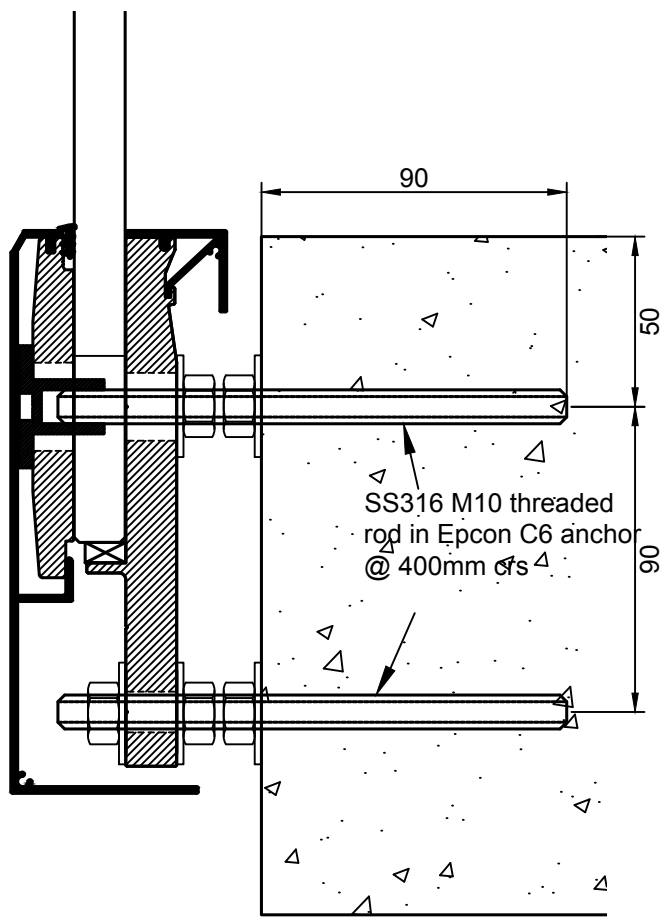
5. Interlinking rail or gap clamps must be connected to each glass pane or the building.

**NZ PATENT 551096
 AU PATENT 2007231735**

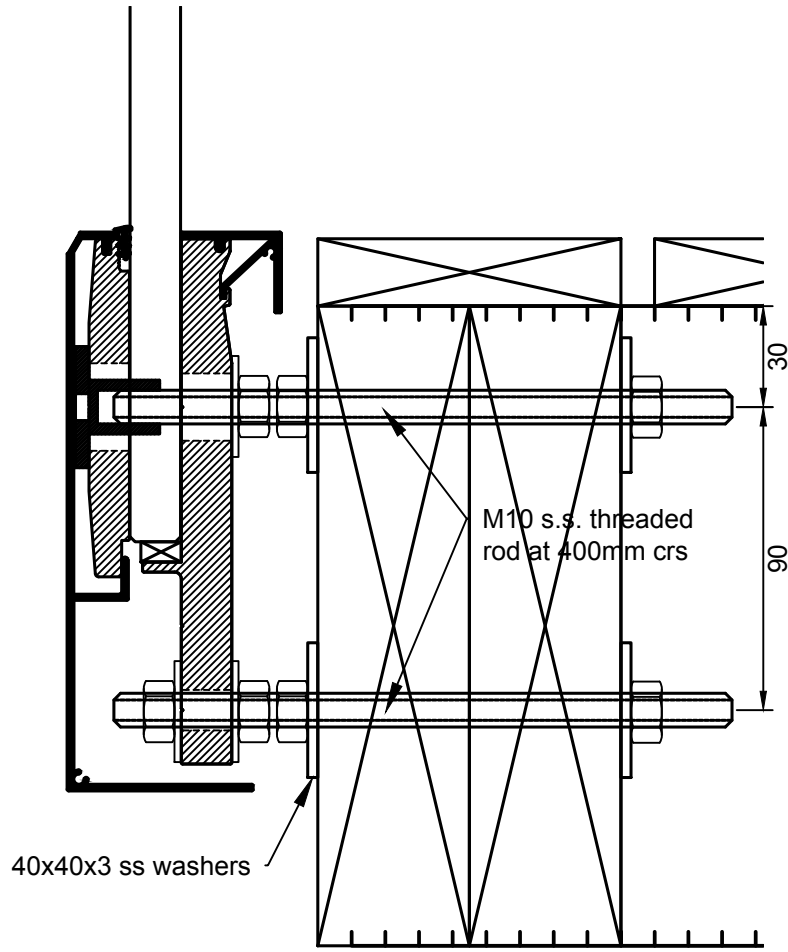


Wind zone	Maximum height, mm
Up to extra high wind zone of 2.13 kPa	1300

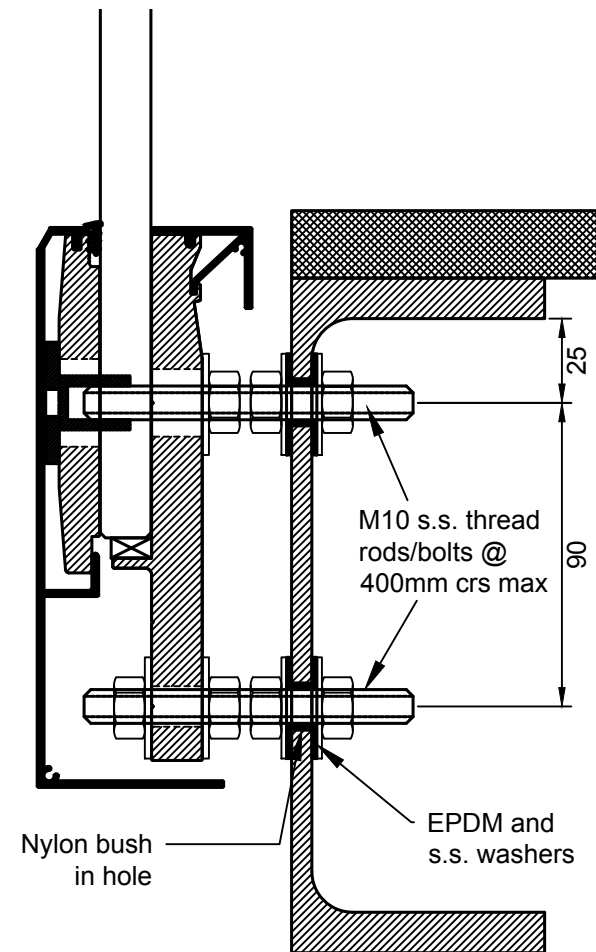
NZ PATENT 551096
AU PATENT 2007231735



FIXING DETAIL A



FIXING DETAIL B



FIXING DETAIL C