



CLEARVUE ROOFING SYSTEM - INSTALLATION INSTRUCTIONS FOR SPAN BAR

Step 1:

Cut extrusions to suit your design for the Spanbar to either cantilever into gutter (Typically 50mm overhang of the gaskets, mid rail and cover cap, or a Flush finish without a gutter).

Step 2:

Slide rubber gaskets into the extrusions.
TIP: Wet channels with soapy water for easier access.

Step 3:

Fix Saddle brackets to the roof structure at the required glazing centres with the appropriate fixings to suit the design. (Timber/metal/seated or face mounted)

Step 4:

Fix the Spanbars into the brackets at both ends using the 25mm Hardtech self drilling screws provided.

Step 5:

Fix the bottom Split end cap in place using the 6g pan head square drive screws provided.

Step 6:

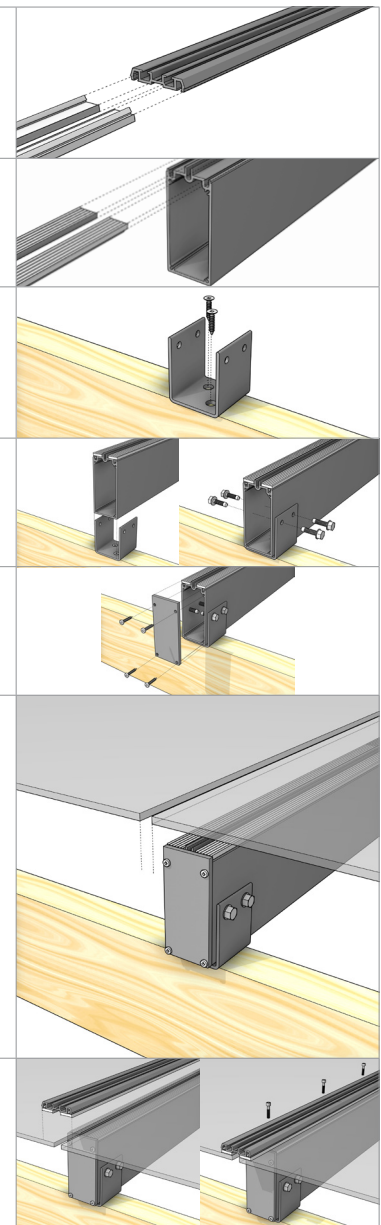
Peel 50mm of the protective masking away from the long sides of each panel both sides before installing.

TIP: leave the rest of the masking on the panel until fixed in place to avoid damage.

Place 2 panels onto the Spanbar to the inside edge of the gasket leaving a 2.0mm gap for expansion. Position the panels so they line up with the intended position of the mid & cover rails.

Step 7:

Position the mid rail in place and secure using the cap screws. These are fixed through predrilled holes at 150mm centres. Ensure that a fixing is placed no less than 50mm from the bottom end to achieve secure clamping.





CLEARVUE ROOFING SYSTEM - INSTALLATION INSTRUCTIONS FOR SPAN BAR

Step 8:

Clip on top cover rail. (Tap on with a rubber mallet until it clicks in place)

Step 9:

Slide correct endcap on which should capture the gaskets, mid & cover rails. Fix 25mm Hardtech self drilling screw into pre drilled hole.

Step 10:

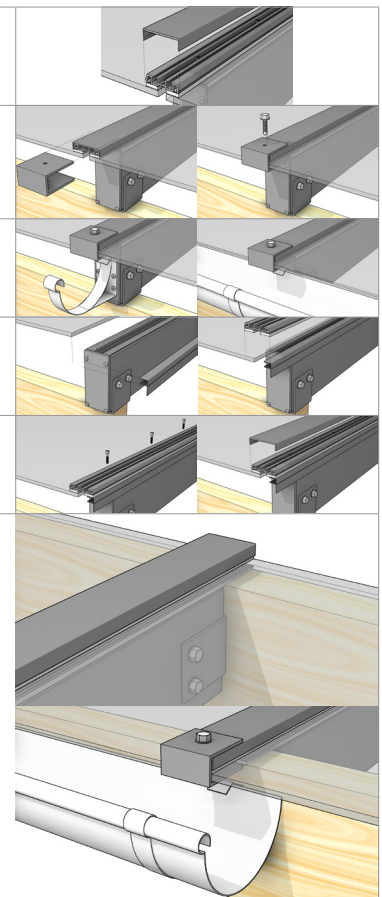
Attach gutter brackets (by others) onto the bottom split endcap.

Step 11:

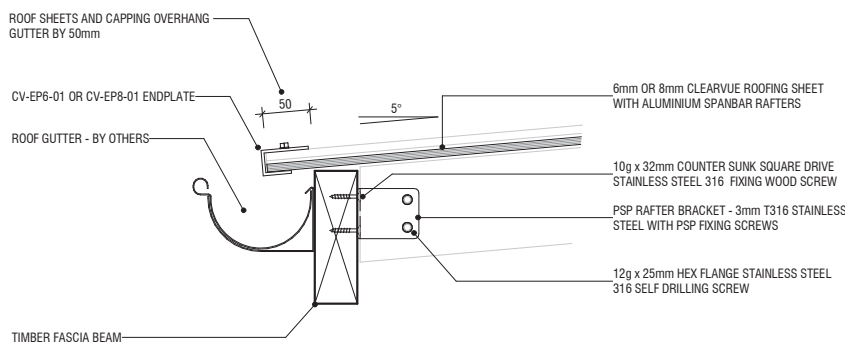
Option: To finish the outside edges. Remove the bottom gasket and place the F Section.

Step 12:

Secure mid rail (complete with gaskets) as per Step 7 and cover as per Step 8.



Alternate Span Bar Fixing Options



For further assistance, please contact your nearest ClearVue Branch.

NOTE: Allow 3-5mm per metre for expansion of panels. ie. 5.1 Metre = 25mm - sheet length = 5075mm.

The tolerance for glazing centres is + or - 2.0mm anything outside of this may result in system failure and void the warranty. We also recommend for low pitches that the bottom edge of the panels are machined finished with a radius/bullnose to prevent water drawing back up the underside of the panels.