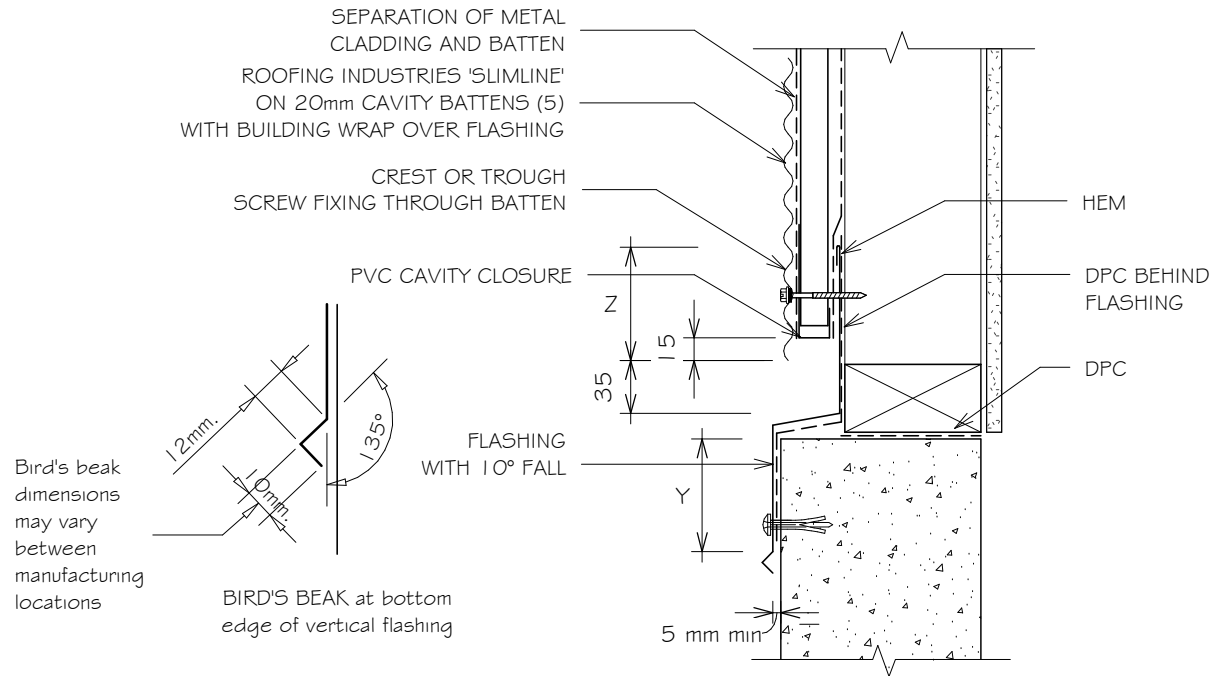


# RESIDENTIAL SLIMLINE CORRUGATE WALL CLADDING HORIZONTAL CLADDING JUNCTION FLASHING

Detail Number: RI-RSLW030A

Date drawn: 07/07/2017

Scale: 1 : 5@ A4



SITE WIND ZONE (As per NZS3604)	MINIMUM	
	Z	Y
SITUATION 1 <sup>(1)</sup>	75mm	75mm <sup>(3)</sup>
SITUATION 2 <sup>(2)</sup>	100mm	100mm <sup>(3)</sup>

NOTES:

1. SITUATION 1: IN LOW, MEDIUM OR HIGH WIND ZONES.
2. SITUATION 2: FOR ALL ROOF PITCHES IN VERY HIGH & EXTRA HIGH WIND ZONES.
3. EXCLUDES DRIP EDGE.
4. MINIMUM 10 GAUGE WITH 30mm PENETRATION INTO FRAMING TIMBER TEKSCREW WITH NEO. (USE STEELTEK FOR STEEL FRAMING)
5. CAVITY BATTENS CONTAINING CORROSIVE MATERIAL MUST BE SEPARATED FROM METAL CLADDING BY DPC, BUILDING WRAP, PVC OR PAINTING.

NOTES:

- These details are generally in compliance with E2/AS1 and/or the NZ Metal Roof & Wall Cladding Code of Practice and in some cases specific details by 'Roofing Industries'.
- The building designer is ultimately responsible to ensure that details used meet the requirements of the NZ Building Code for the specific project.
- Details of the supporting structure including cavity battens are indicative only and are the responsibility of the building designer. For steel framed buildings thermal break cavity battens may be required.
- Underlay selection and building wrap types are the responsibility of the designer. When rigid wall underlay is required it is the designers responsibility to ensure the correct type is used and follow the manufacturers recommendation for installation.
- These details are for Roofing Industries profile/s as nominated and may not be applicable to other profiles.
- This drawing is the copyright of 'Roofing Industries' and can only be copied or reproduced with their permission.
- Further information can be obtained from the NZ Metal Roof & Wall Cladding Code of Practice: [www.metalroofing.org.nz](http://www.metalroofing.org.nz) or E2/AS1.

Copyright detail © 2017

SLIMLINE IS OUTSIDE THE SCOPE OF E2/AS1 BUT  
MAYBE APPLICABLE FOR NON RESIDENTIAL  
BUILDINGS OR AS AN ALTERNATIVE SOLUTION

