

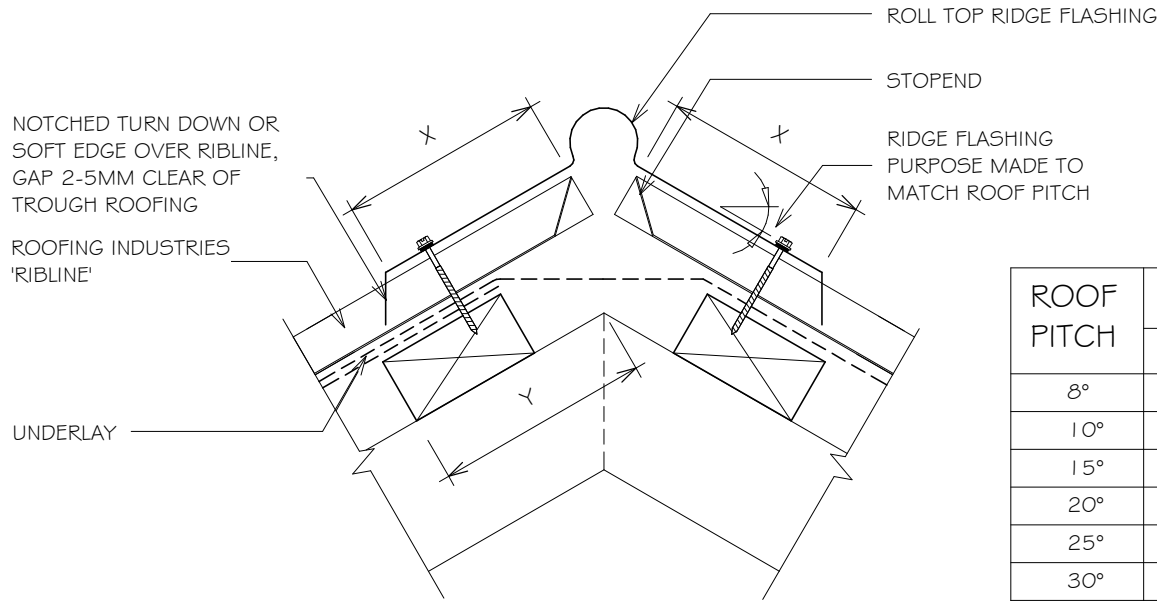
# RESIDENTIAL RIBLINE® ROOFING

## RIDGE AND HIP FLASHING (ROLL TOP)

Detail Number: RI-RRR005A

Date drawn: 07/07/2017

Scale: 1 : 5@ A4



ROOF PITCH	DISTANCE Y mm	
	SITUATION 1	SITUATION 2
8°	N/A	218
10°	167	217
15°	162	212
20°	156	206
25°	150	200
30°	143	193
35°	134	184
40°	125	175
45°	115	165

FOR STANDARD 50mm PURLINS ON FLAT

SITE WIND ZONE (As per NZS3604)	MINIMUM mm (X)
	TRANSVERSE FLASHING OVER ROOFING
SITUATION 1 <sup>(1)</sup>	130 <sup>(3)</sup>
SITUATION 2 <sup>(2)</sup>	200 <sup>(3)</sup>

NOTES:

1. SITUATION 1: IN LOW, MEDIUM OR HIGH WIND ZONES, WHERE ROOF PITCH IS 10° OR GREATER.
2. SITUATION 2: FOR ALL ROOF PITCHES IN VERY HIGH AND EXTRA HIGH WIND ZONES, FOR ALL WIND ZONES WHERE ROOF PITCH LESS THAN 10°.
3. EXCLUDING ANY SOFT EDGE OR TURN-DOWN TO ROOFING.
4. FOR VENTILATION, BUILDING PAPER MAY REQUIRE SLOTS CUT AT RIDGE LINE. REFER MRM CODE OF PRACTICE.

NOTES:

- These details are generally in compliance with E2/AS1 and/or the NZ Metal Roof & Wall Cladding Code of Practice and in some cases specific details by 'Roofing Industries'.
- The building designer is ultimately responsible to ensure that details used meet the requirements of the NZ Building Code for the specific project.
- Details of the supporting structure including cavity battens are indicative only and are the responsibility of the building designer. For steel framed buildings thermal break cavity battens may be required.
- Underlay selection and building wrap types are the responsibility of the designer, Netting or other support is generally required at roof pitches less than 8 degrees combined with a self supporting paper. At roof pitches of 8° and above where non self supporting paper is used or purlin spacing is in excess of self supporting criteria, netting or other support should be used. Alternative support to netting should be used in severe coastal environments including when aluminium is used.
- These details are for Roofing Industries profile/s as nominated and may not be applicable to other profiles.
- This drawing is the copyright of 'Roofing Industries' and can only be copied or reproduced with their permission.
- These details to be read with Roofing Industries profile technical summary regarding wind loads and fixings.
- Further information can be obtained from the NZ Metal Roof & Wall Cladding Code of Practice: [www.metalroofing.org.nz](http://www.metalroofing.org.nz) OR NZBC clause E2/AS1.

Copyright detail © 2017

