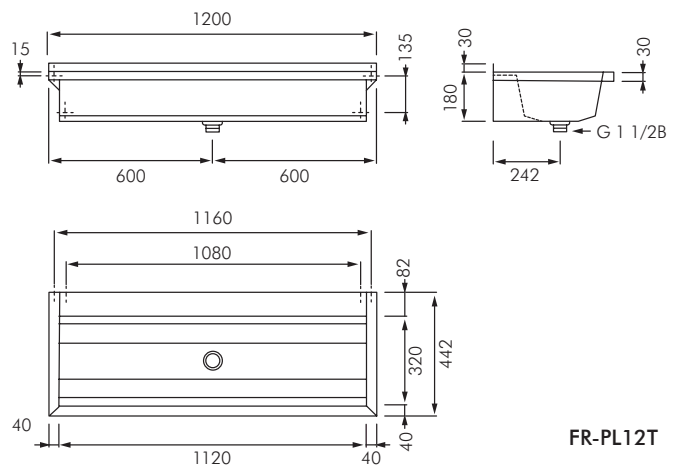


**FR-PL6T/ FR-PL12T/ FR-PL18T**  
 PLANOX STAINLESS STEEL WASHTROUGH  
 - with tap ledge



FR-PL12T

**DESCRIPTION**

Franke high quality wash troughs are ideally suited for installation in industrial workshops, sports facilities, school bathrooms and early childhood education facilities.

The new Franke PLANOX range offers a functional, easy-to-clean and user-friendly solution whilst ensuring optimum hygiene.

PLANOX washtroughs are seamlessly welded from the inside, making them highly resistant to dirt and bacteria build up.

This model is supplied with a tap ledge, these washtroughs are easy-to-install and manufactured from high quality type 304, 0.8 mm / side panels 1.2 mm chrome-nickel steel, with surface satin finish. This material is highly corrosion-resistant as well as being easy to clean, which helps to keep service and maintenance costs to a minimum.

Available in 600, 1200, 1800mm lengths. Special lengths available on indent only.

**INSTALLATION**

Suitable for Delabie deck mounted time flow or electronic taps such as DE740 500 (timed flow) or DE440 006 (electronic).

The Planox washtroughs are wall mounted using integrated brackets, including stainless steel screws and dowels. Can be supplied with optional stainless steel backlash to be glue fixed to wall above trough.

**MODELS**

**FR-PL6T** - 600 x 210 x 442 mm (W x H x D)

**FR-ECC6** - 600 x 270 backsplash

**FR-PL12T** - 1200 x 210 x 442 mm (W x H x D)

**FR-ECC12** - 1200 x 270 backsplash

**FR-PL18T** - 1800 x 210 x 442 mm (W x H x D)

**FR-ECC18** - 1800 x 270 backsplash



**Auckland (Head Office)**

20 Carr Rd, Three Kings  
 Auckland 1042  
 09 624 1115  
[sales@macdonaldindustries.co.nz](mailto:sales@macdonaldindustries.co.nz)  
[macdonaldindustries.co.nz](http://macdonaldindustries.co.nz)

**Christchurch**

32B Hayton Road  
 Wigram, Christchurch  
 03 348 2356  
[christchurch@macdonaldindustries.co.nz](mailto:christchurch@macdonaldindustries.co.nz)

**Wellington**

04 569 8033